

14 TRANSMITTER-DISTRIBUTOR

WIRING DIAGRAM

| CONTENTS  | PAGE |
|---|------|
| 1. GENERAL .....  | 1    |
| 2. WIRING DIAGRAMS .....  | 2    |
| 14A, 14B, 14H, 14J, 14Y, 14AE,<br>14AE-38A, and 14AU Transmitter-<br>Distributors (Synchronous<br>Motor)..... | 2    |
| 14AA Transmitter-Distributor<br>(Synchronous Motor) .....   | 8    |
| 14AB Transmitter-Distributor<br>(AC-Governed Motor).....  | 9    |
| 14AD Transmitter-Distributor<br>(DC-Governed Motor).....  | 10   |
| 14BD and 14BE Transmitter-<br>Distributors (Synchronous Motor). ..  | 6    |
| 14BF and 14BG Transmitter-<br>Distributors (DC-Shunt Motor) ...   | 7    |
| 14BH and 14BJ Transmitter-<br>Distributors.....   | 11   |
| 14BK Transmitter-Distributor ...  | 12   |
| 14C, 14K, and 14AF Transmitter-<br>Distributors (DC-Shunt Motor) ...  | 2    |
| 14D, 14L, and 14BA Transmitter-<br>Distributors (AC-Series Motor)...  | 3    |
| 14F, 14G, 14P, and 14AW<br>Transmitter-Distributors<br>(Synchronous Motor) .....                              | 3    |
| 14M and 14AT Transmitter-<br>Distributors (AC-Series Motor)...  | 4    |
| 14W, 14W38 -A, 14W38-BB, and<br>14W38-BC Transmitter-<br>Distributors .....                                   | 5    |

1. GENERAL

1.01 This section covers the wiring of 14-type transmitter-distributors. The diagrams show the wiring of the machines as they are received from the factory.

1.02 This section is reissued to include Figures 12, 13, and show a change in Figure 1.

1.03 The wiring shown in Figures 1, 2, and 3 for transmitter-distributors which are used at teletypewriter stations, covers the ac clutch magnet which is adapted for use on either ac- or dc-power supply.

1.04 Figures 4 and 5 cover the wiring of test message transmitter-distributors which are used in connection with central office apparatus.

1.05 Figure 6 shows the type of transmitter-distributor which is used at the switching center of an 81-type system. Figures 7 and 8 are types of transmitter-distributors which are used at an outlying station of an 81-type system.

1.06 Figures 9, 10, and 11 show the transmitter-distributors used with the 131 teletypewriter subscriber set.

1.07 Figure 12 shows the transmitter-distributors used with the 83BI system. The 14BH unit is used for 60 wpm and the 14BJ for 75 wpm operation.

1.08 Figure 13 shows the transmitter-distributor used with the Teletypewriter Automatic Dispatch System (TADS).

1.09 Some of the earlier sets were shipped with a strap across the 350-ohm portion of the resistor in series with the start magnet. This strap should be removed when the start magnet is operated on dc power, otherwise, the 175-ohm resistor will severely overheat. The 350-ohm resistor should be strapped out when the ac start magnet is operated on ac power.

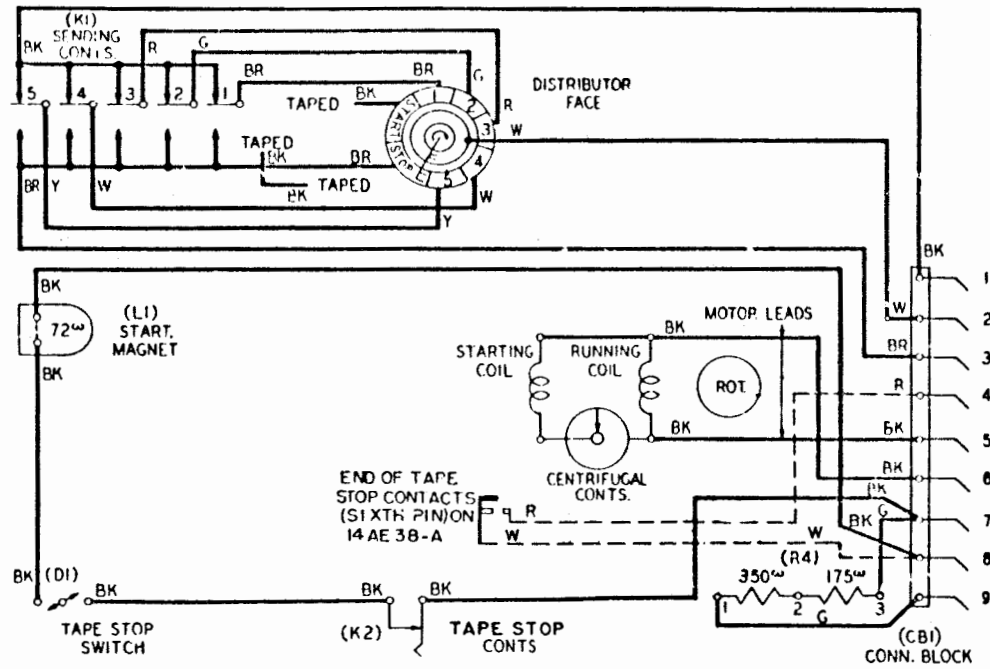


Figure 1 – 14A, 14B, 14H, 14J, 14Y, 14AE, 14AE-38A, and 14AU Transmitter-Distributors (Synchronous Motor)

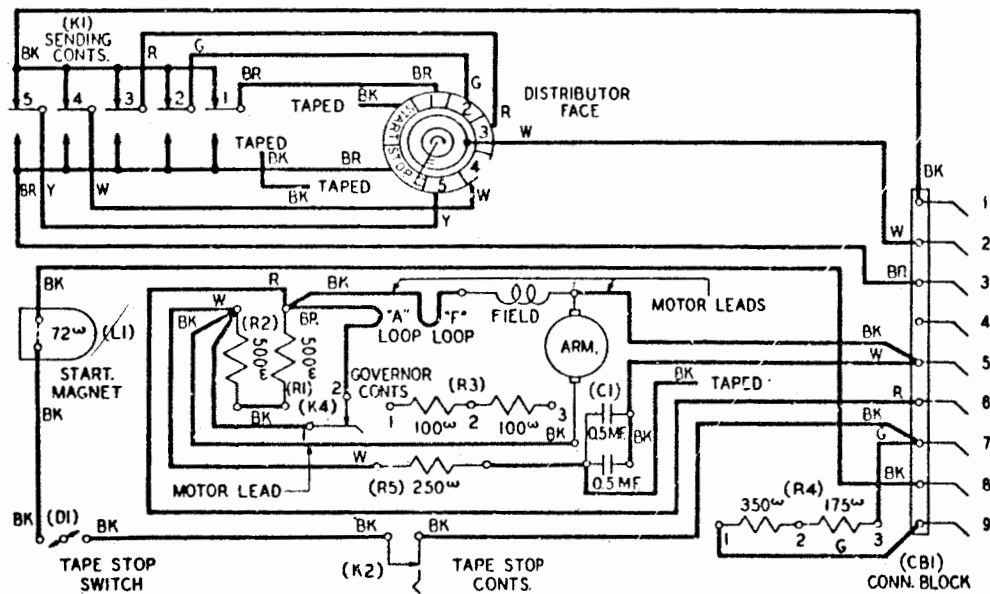


Figure 2 – 14C, 14K, and 14AF Transmitter-Distributors (D. C. Shunt Motor)

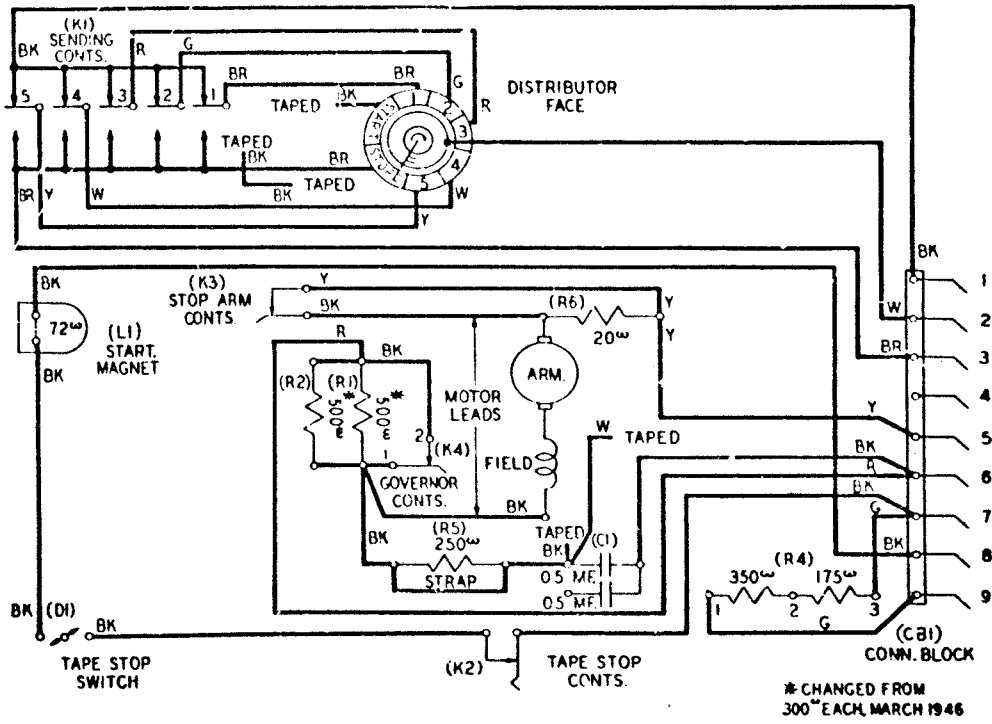


Figure 3 - 14D, 14L, and 14BA Transmitter-Distributors (AC Series Motor)

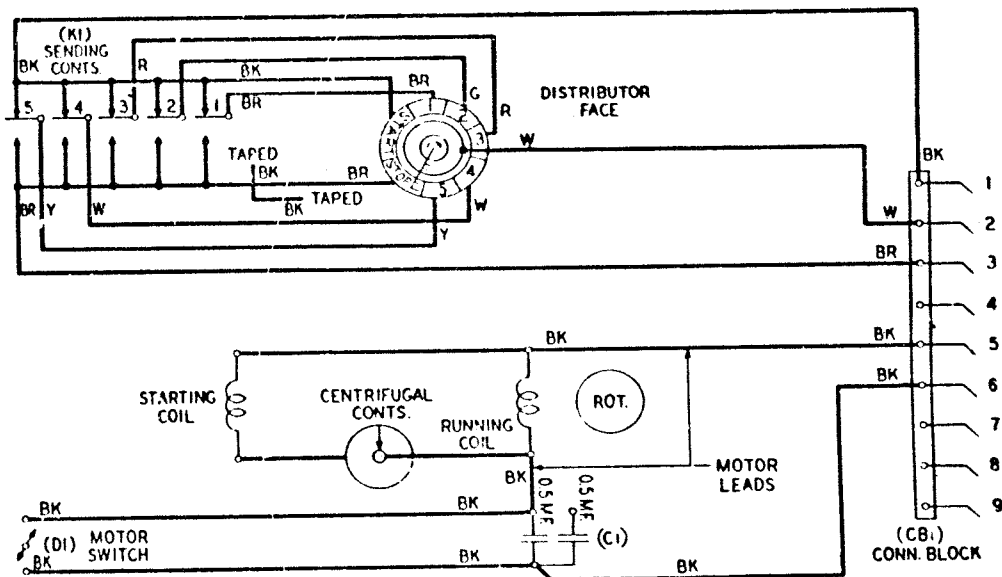


Figure 4 - 14F, 14G, 14P, and 14AW Transmitter-Distributors (Synchronous Motor)

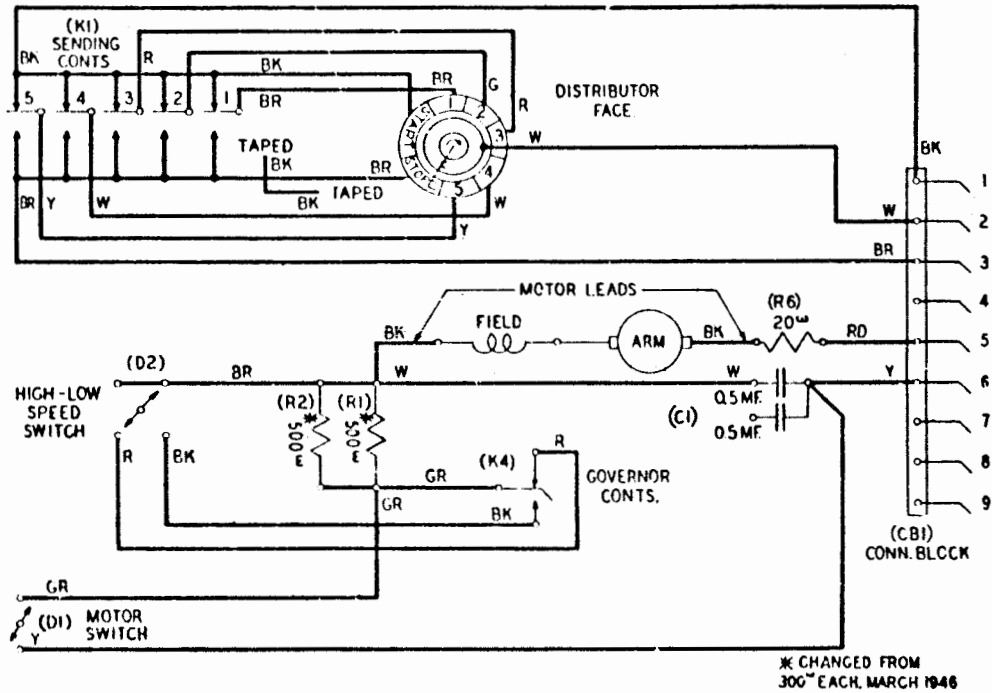


Figure 5 — 14M and 14AT Transmitter-Distributors  
(AC Series Motor)





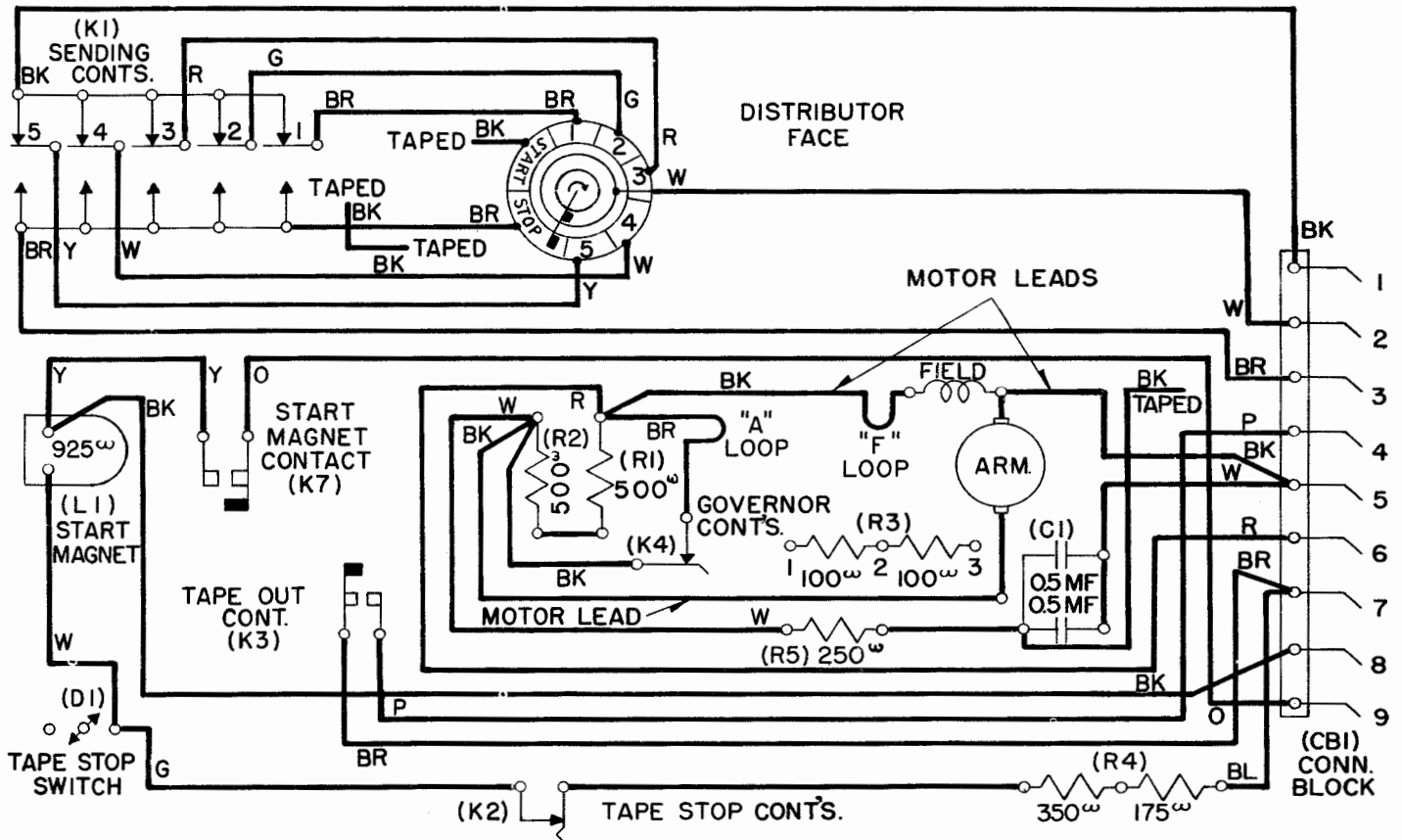


Figure 8 - 14BF and 14BG Transmitter-Distributors (DC Shunt Motor)

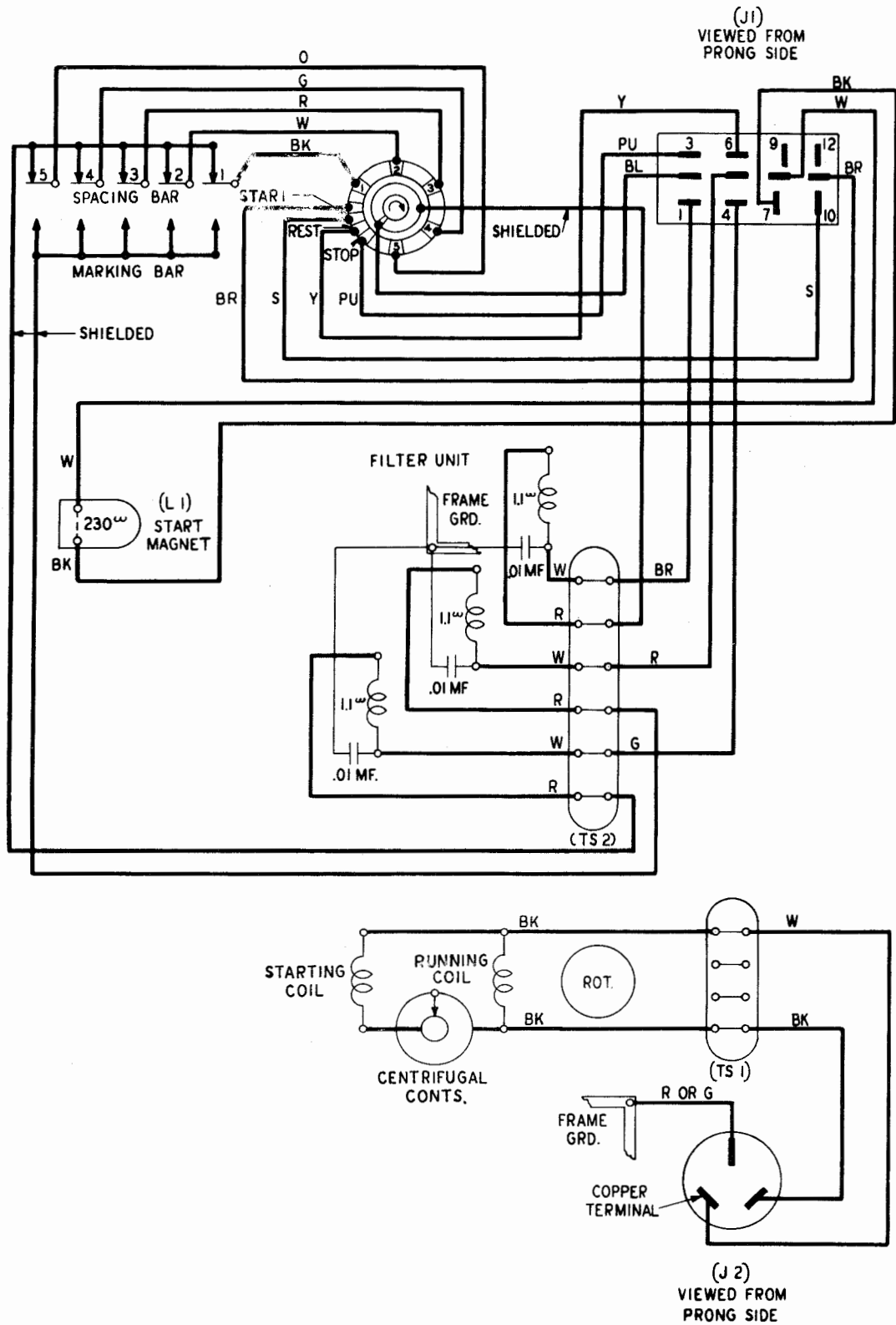


Figure 9 - 14AA Transmitter-Distributor (Synchronous Motor)



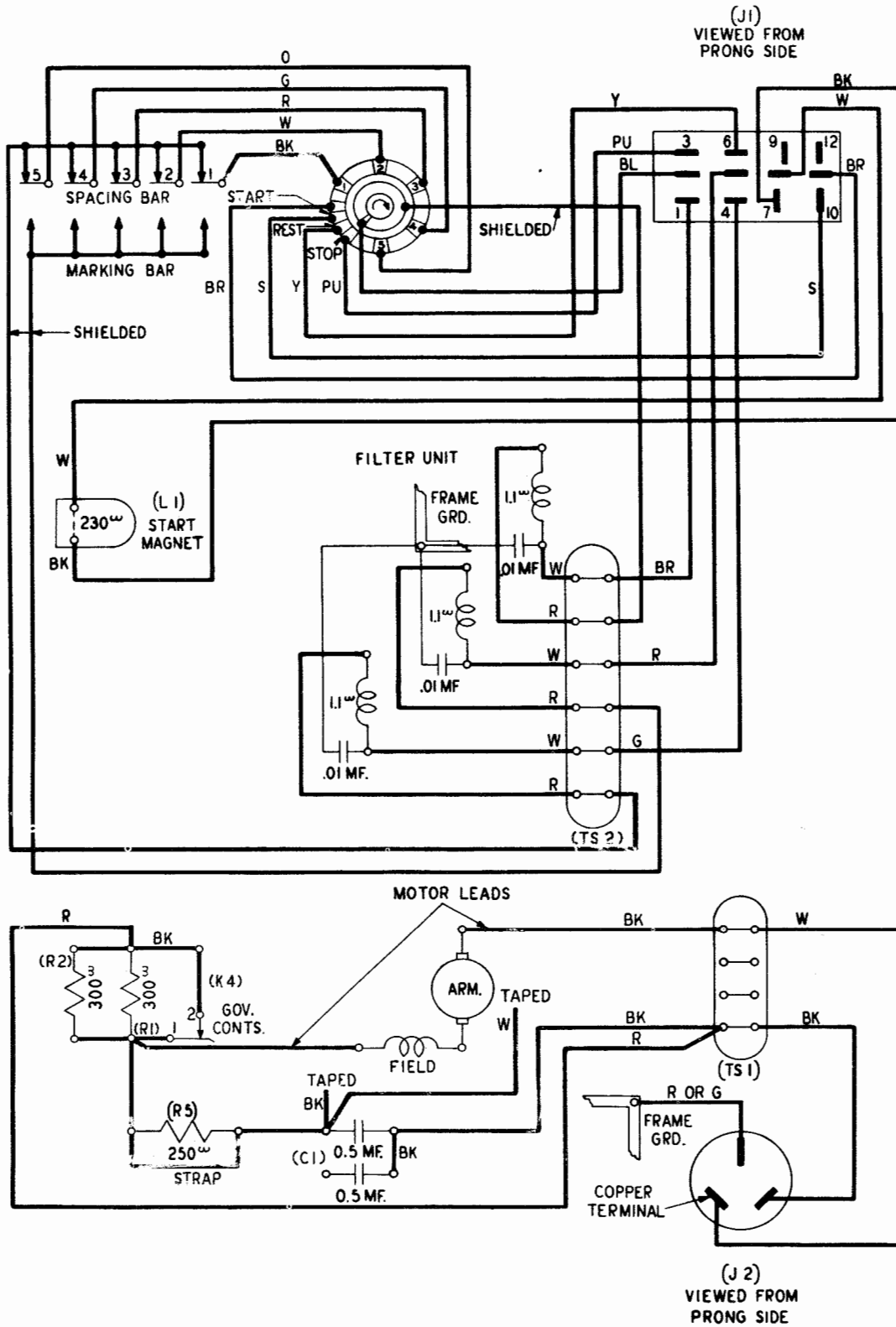


Figure 10 - 14AB Transmitter-Distributor (AC Governed Motor)

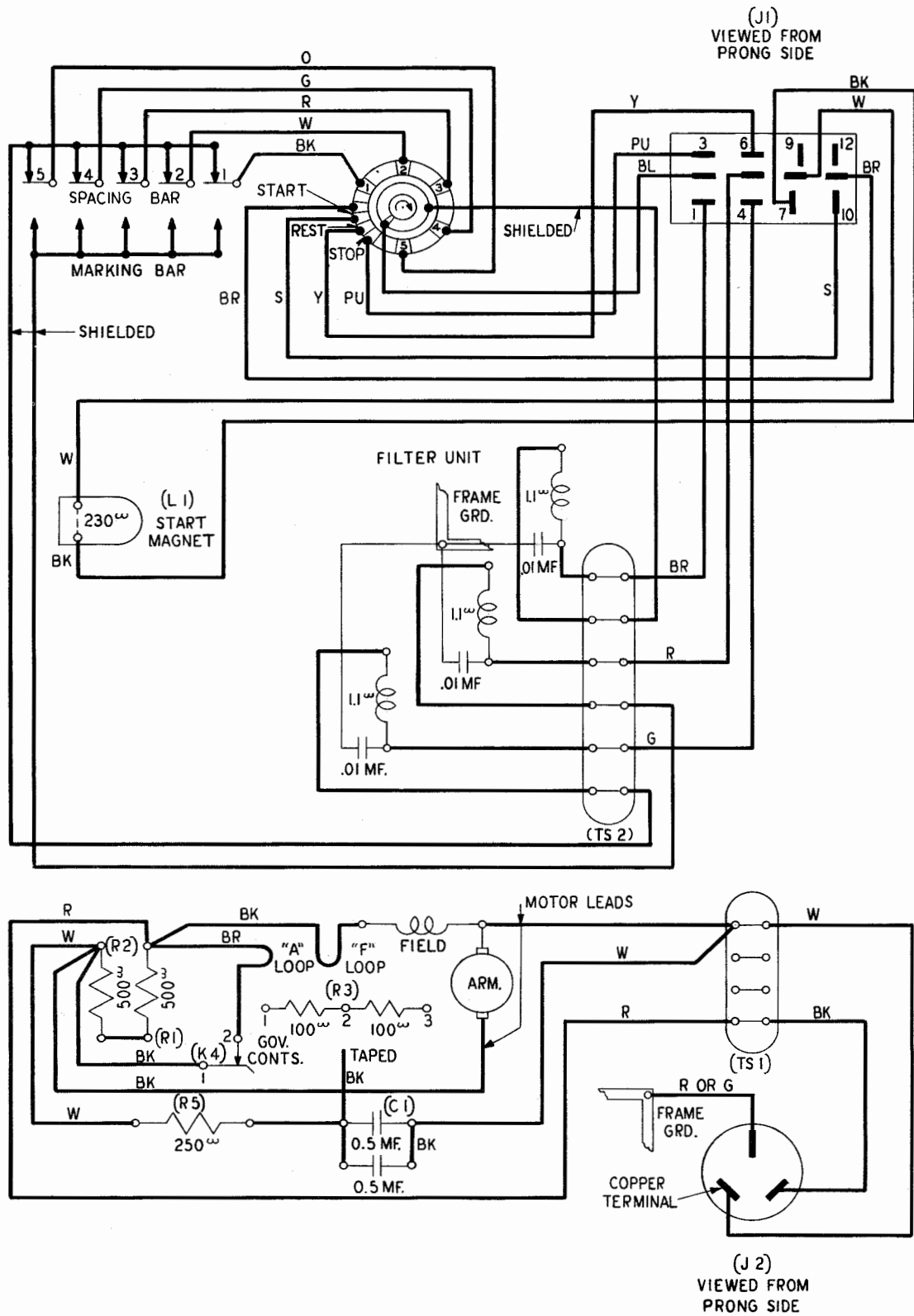


Figure 11 — 14AD Transmitter-Distributor  
(DC Governed Motor)

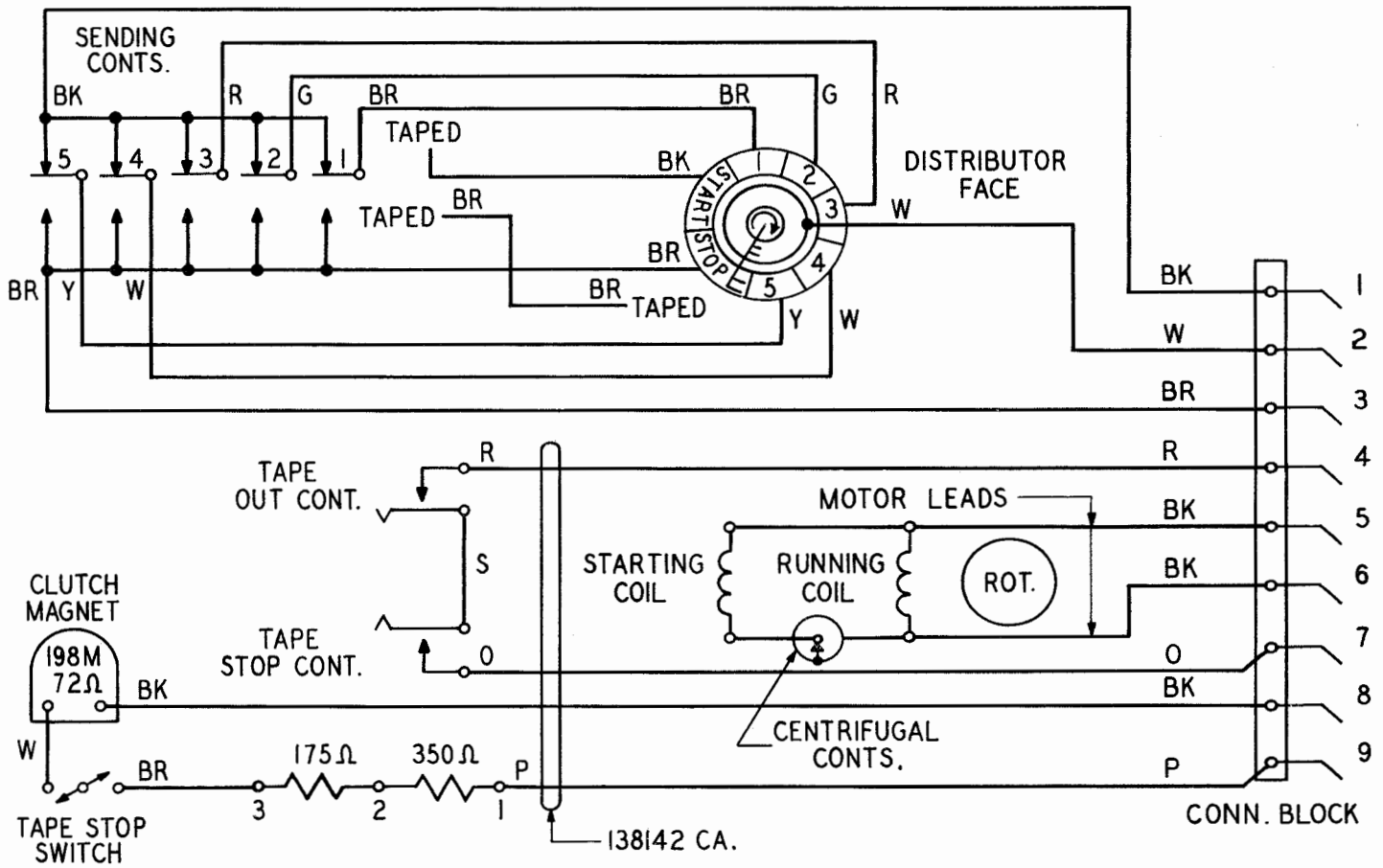


Figure 12 - 14BH and 14BJ Transmitter-Distributors

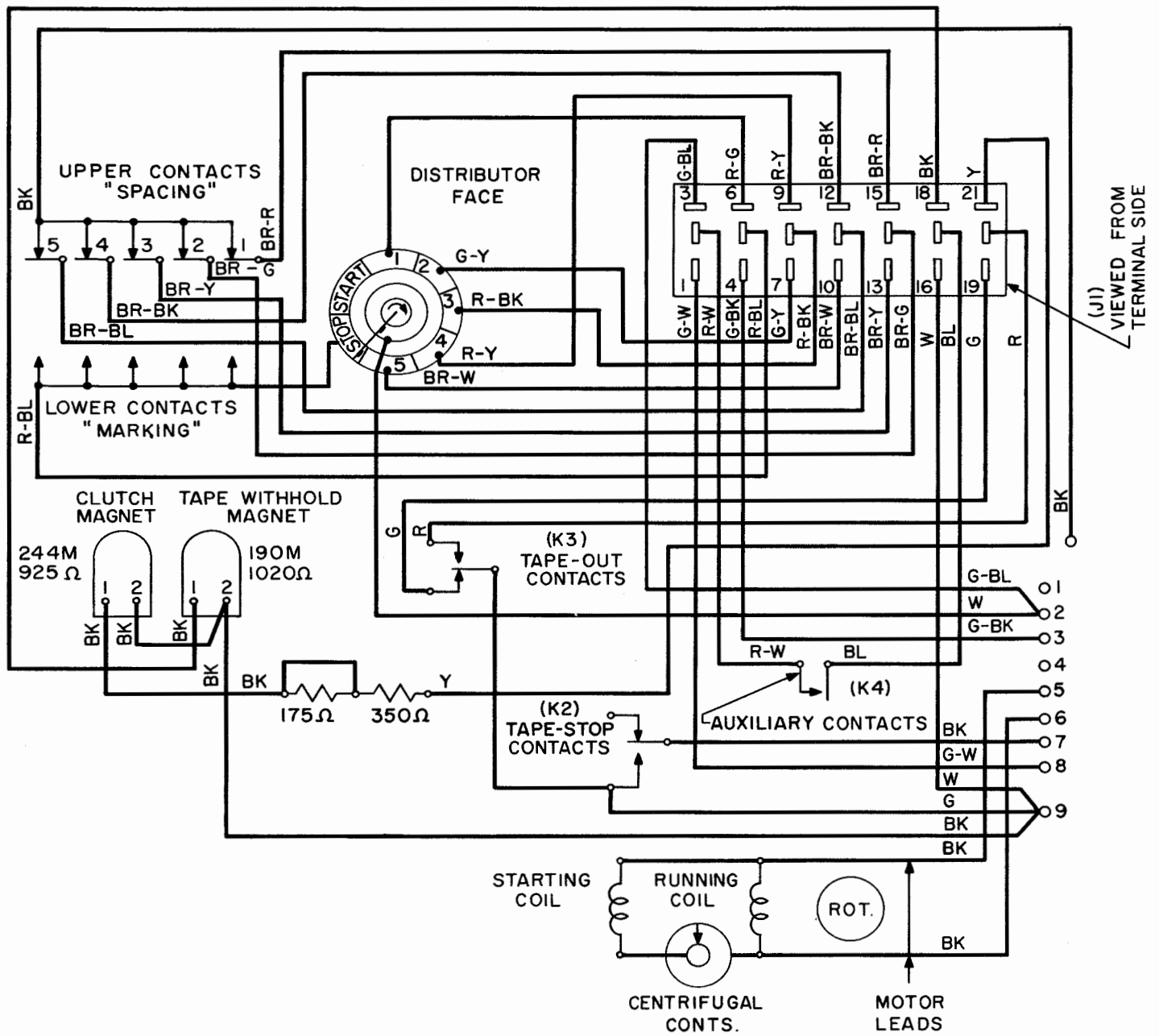


Figure 13 - BK14 Transmitter-Distributor