

15 PERFORATOR-TRANSMITTER
WIRING DIAGRAM

1. GENERAL

- 1.01 This section shows the wiring for the 15 perforator-transmitter.
- 1.02 For operation on 0.060-amp line current, the 3700-ohm resistance in the perforator-transmitter should be strapped out.

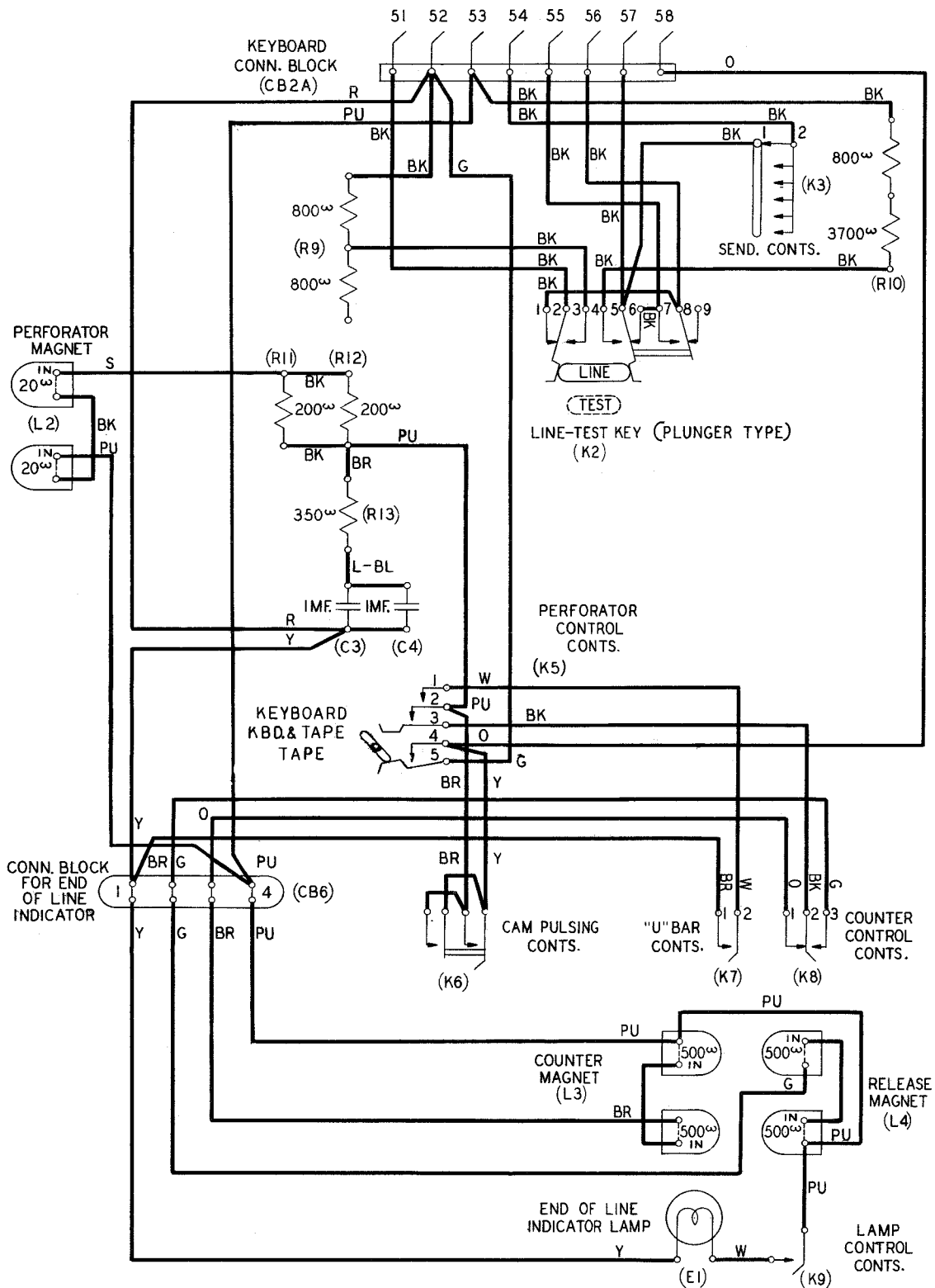


Figure 1-15A, B, C, D, E, F, G, J, K, L, R, S, and T
 Perforator-transmitter (With End-of-line Indicator
 on the Right and Plunger-type LINE-TEST Key)

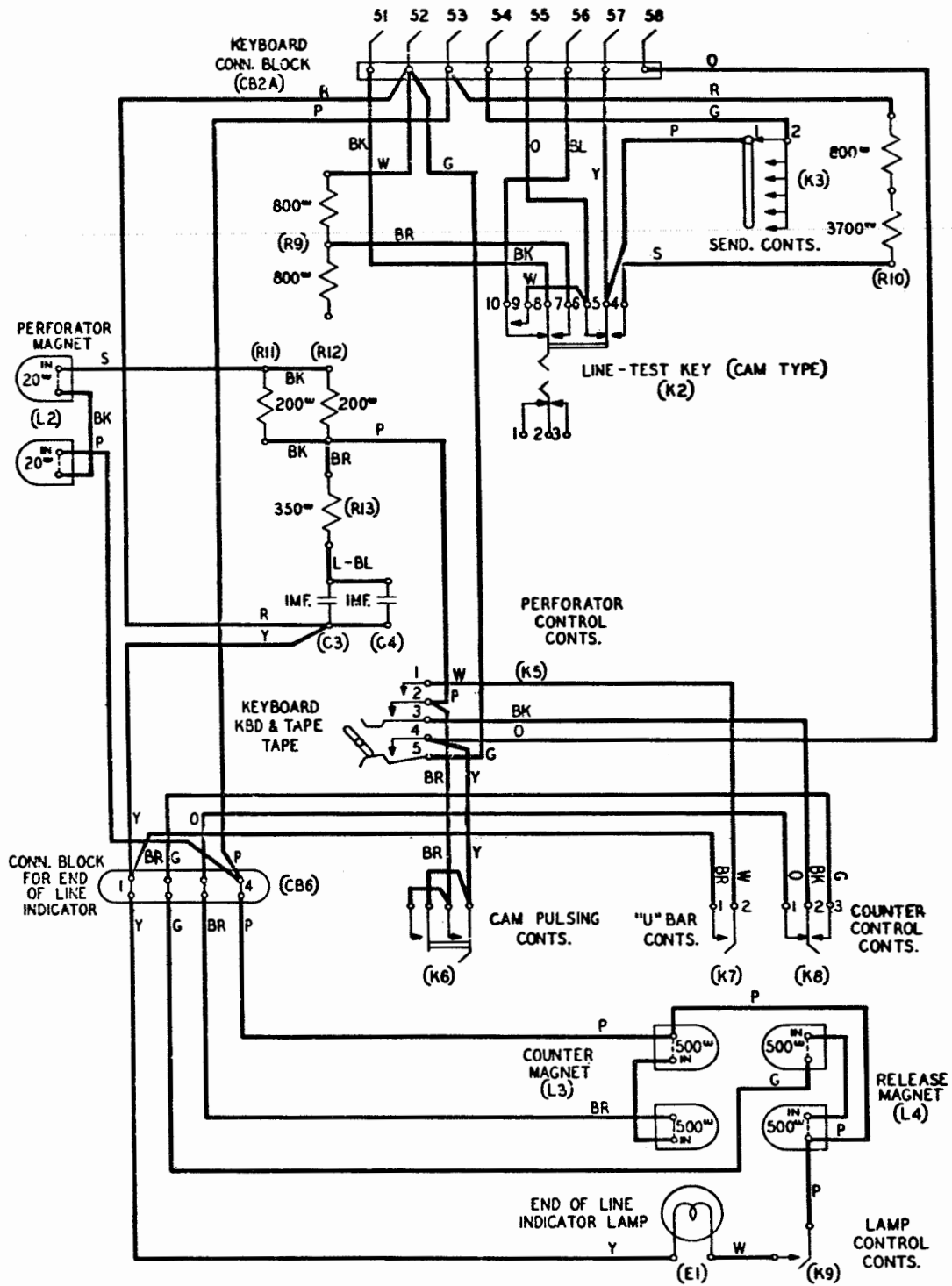


Figure 2-15A, B, C, D, E, F, G, J, K, L, R, S, T, U, and W
 Perforator-transmitter (With End-of-line Indicator on
 the Right and Cam-type LINE-TEST Key)

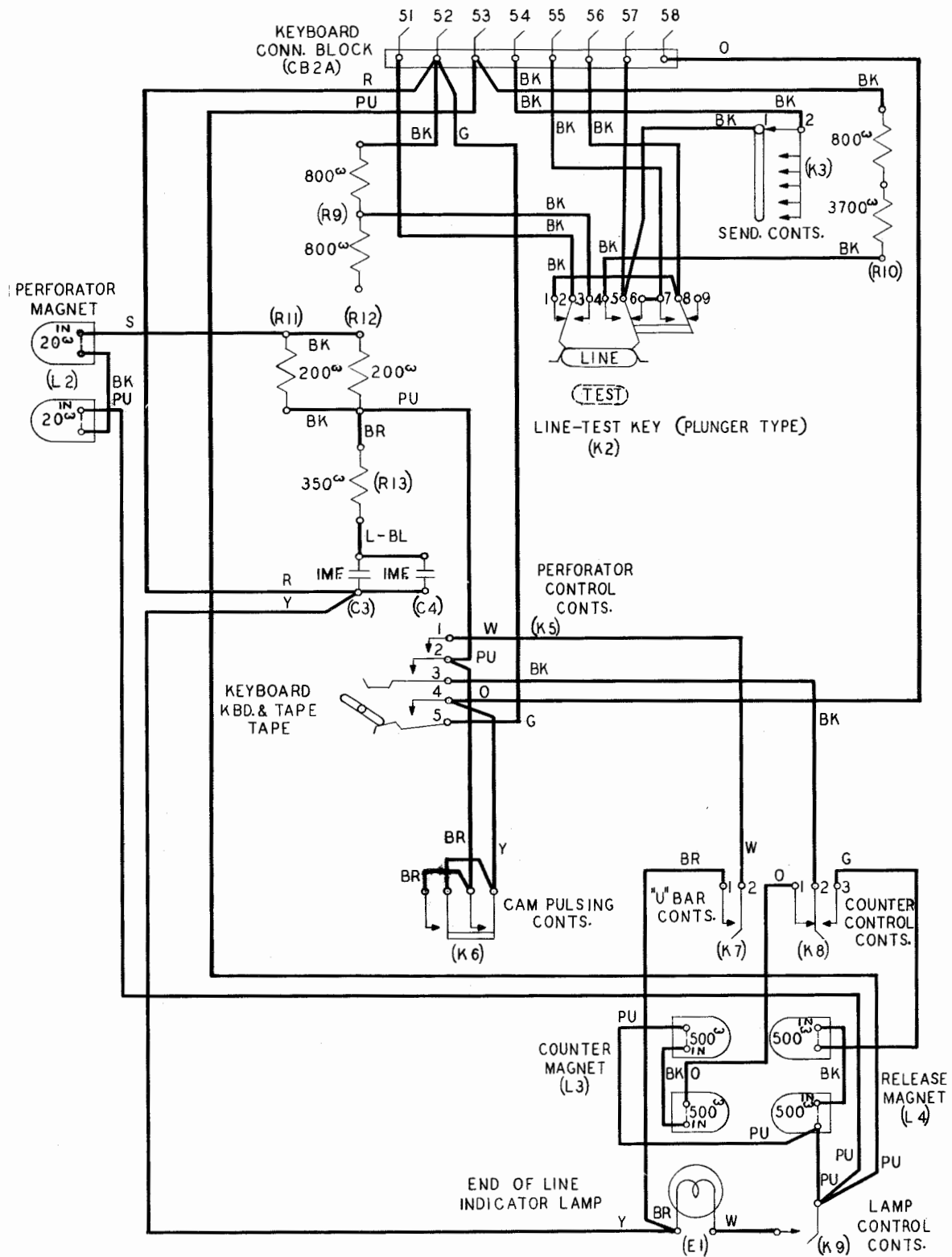


Figure 3-15M, N, and P Perforator-transmitter (With End-of-line Indicator on Left and Plunger-type LINE-TEST Key)

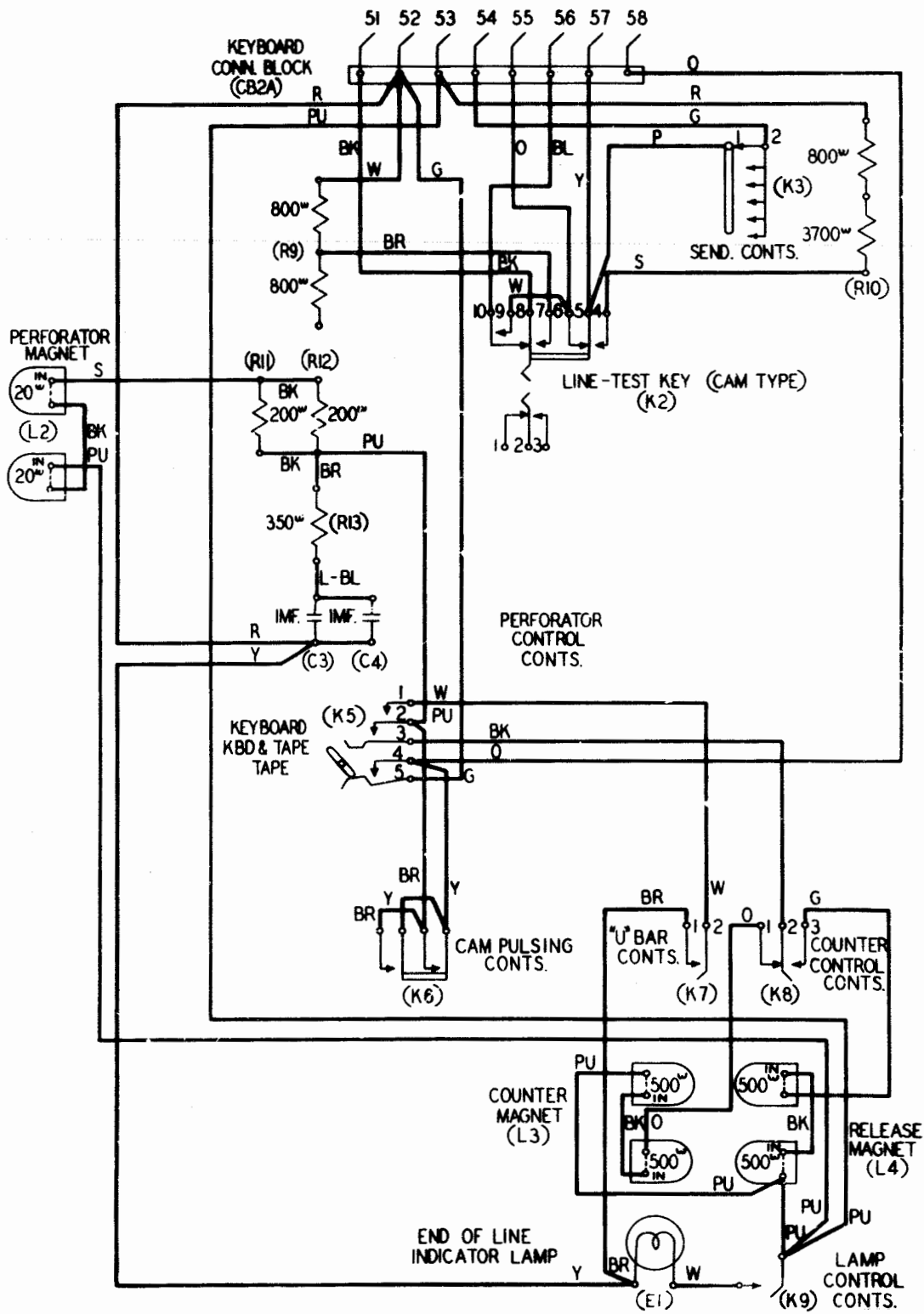


Figure 4-15M, N, and P Perforator-transmitter (With End-of-line Indicator on the Left and Cam-type LINE-TEST Key)