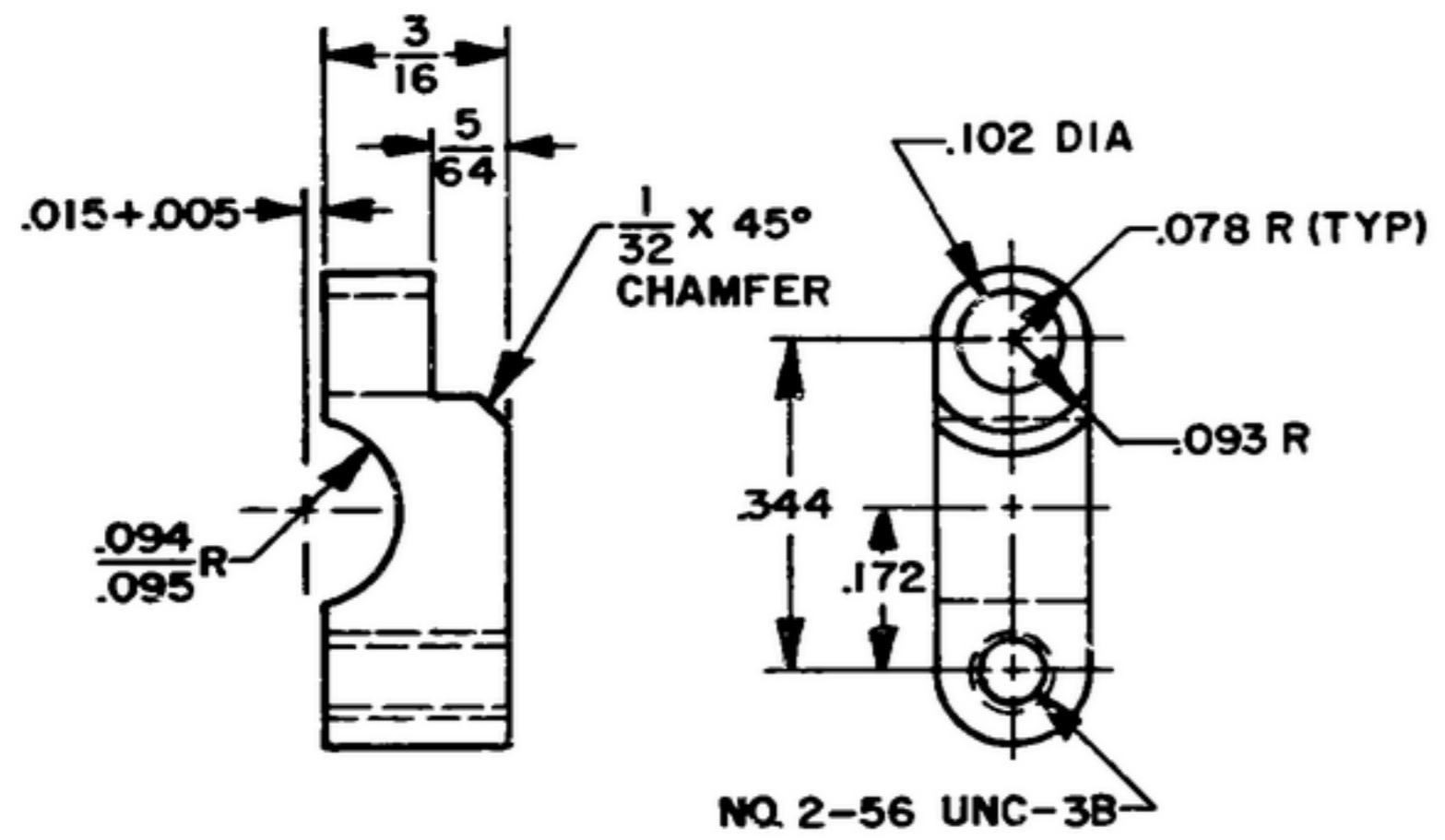


REVISIONS			
LTR	DESCRIPTION	DATE	APPROVED



- NOTES:
1. CRES, TYPE 303, COND. A PER SPEC QQ-S-764.
 2. REMOVE ALL BURRS AND SHARP EDGES.
 3. FINISH E300 PER SPEC MIL-F-14072.
 4. THREADS SHALL BE IN ACCORDANCE WITH U.S. DEPT OF COMMERCE SCREW THREAD STANDARDS FOR FEDERAL SERVICES HANDBOOK H28.

ITEM NO.	QTY REQD	PART OR IDENTIFYING NUMBER	NOMENCLATURE OR DESCRIPTION	SPECIFICATION	NOTE
PARTS LIST					
UNLESS OTHERWISE SPECIFIED DIMENSIONS ARE IN INCHES TOLERANCES ON FRACTIONS $\pm \frac{1}{64}$ DECIMALS $\pm .005$ ANGLES $\pm 1^\circ$			AUTHENTICATION		U. S. ARMY ELECTRONICS COMMAND PROCUREMENT AND PRODUCTION DIRECTORATE FORT MONMOUTH, NEW JERSEY 07703 CLAMP
			DRAWN RMK		
			CHECKED REA		
			VERIFIED TP EC-1 REA		
SC-B-730034		DL-144500	DL-248775	APPROVED REA ECB	SIZE B CODE IDENT N 0.80063
NEXT ASSY		USED ON	DATE 15 MAR 74	SC-B-730034	
APPLICATION			SCALE 4/1	SHEET	

WHEN REFERRING TO THIS DRAWING STATE DRAWING NO., APPLICABLE ISSUE LETTER, IF ANY, & DATE