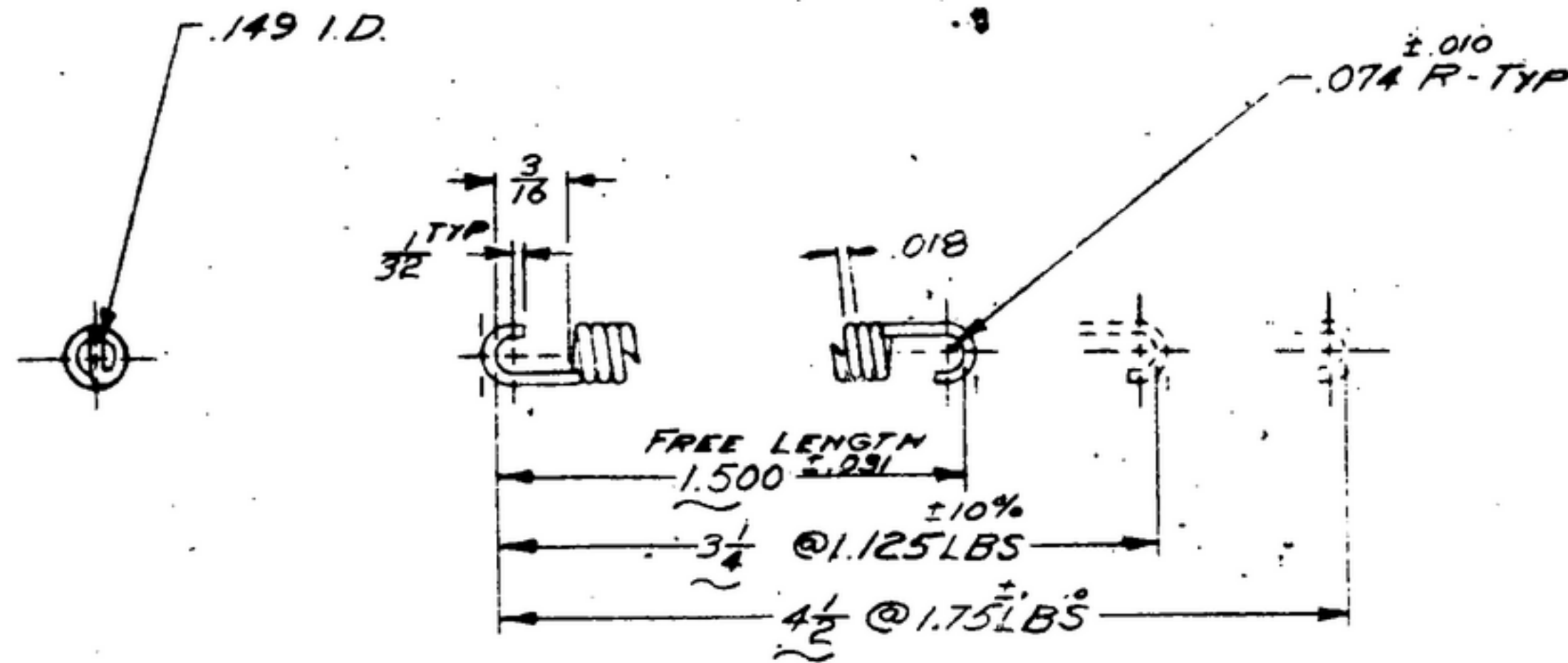


NOTES: WHEN GOVERNMENT DRAWINGS, SPECIFICATIONS, OR OTHER DATA ARE USED FOR ANY PURPOSE OTHER THAN IN CONNECTION WITH A DEFINITELY RELATED GOVERNMENT PROCUREMENT OPERATION, THE UNITED STATES GOVERNMENT THEREBY INCURS NO RESPONSIBILITY FOR ANY OMISSIONS WHATSOEVER, AND THE FACT THAT THE GOVERNMENT MAY HAVE FORMULATED, PUBLISHED, OR IN ANY WAY SUPPLIED THE SAID DRAWINGS, SPECIFICATIONS, OR OTHER DATA IS NOT TO BE REGARDED BY SUPPLIERS AS OTHERWISE AS IN ANY MANNER LICENSING THE HOLDER OR ANY OTHER PERSON OR CORPORATION, OR CONFESSING ANY RIGHTS OR PERMISSION TO MANUFACTURE, USE, OR SELL ANY PATENTED INVENTION THAT MAY IN ANY WAY BE RELATED THERETO.

REVISIONS			
SYM	DESCRIPTION	DATE	APPROVAL
C	REVISED & REDRAWN	18 AUG 62	52713-PP-61 REV'D PME



SPRING DATA  
 \* NO OF COILS - 6 1/2  
 MEAN DIA. -.167  
 .5 LBS/INCH DEFLECTION  
 INITIAL TENSION .25 LBS.  
 1.5 LBS @ 110,000 FIBER STRESS

WIDE SPRING STEEL PER SPEC QQ-W-470.

- 1- DATA MARKED WITH AN(\*) ASTERISK NOT BINDING ON SPRING MANUFACTURER
- 2- FINISH - M262 & E200 PER MIL-F-14072.

REQ	PART NO	DESCRIPTION	MATL	MATL SPEC
LIST OF MATERIAL				

		UNLESS OTHERWISE SPECIFIED	AUTHENTICATION		SPRING	SIGNAL CORPS ENGINEERING LABORATORIES  PORT MONMOUTH NEW JERSEY
		DIMENSIONS ARE IN INCHES	DRAWN 2183E-PH			
		TOLERANCES ON	50-99			
		FRACTIONS DECIMALS ANGLES	TRACED PHOTO			
		± 1/64 ±.005	CHECKED <i>[Signature]</i>			
SM-D-144678	SC-DL-144500		VERIFIED PD BR		SM-B-178699	
SM-D-178679	SC-DL-178467		APPROVED PD BR			
NEXT ASSY	USED ON		REVIEWED PME			
APPLICATION			DATE 14 Oct 1955	SCALE 2/1		