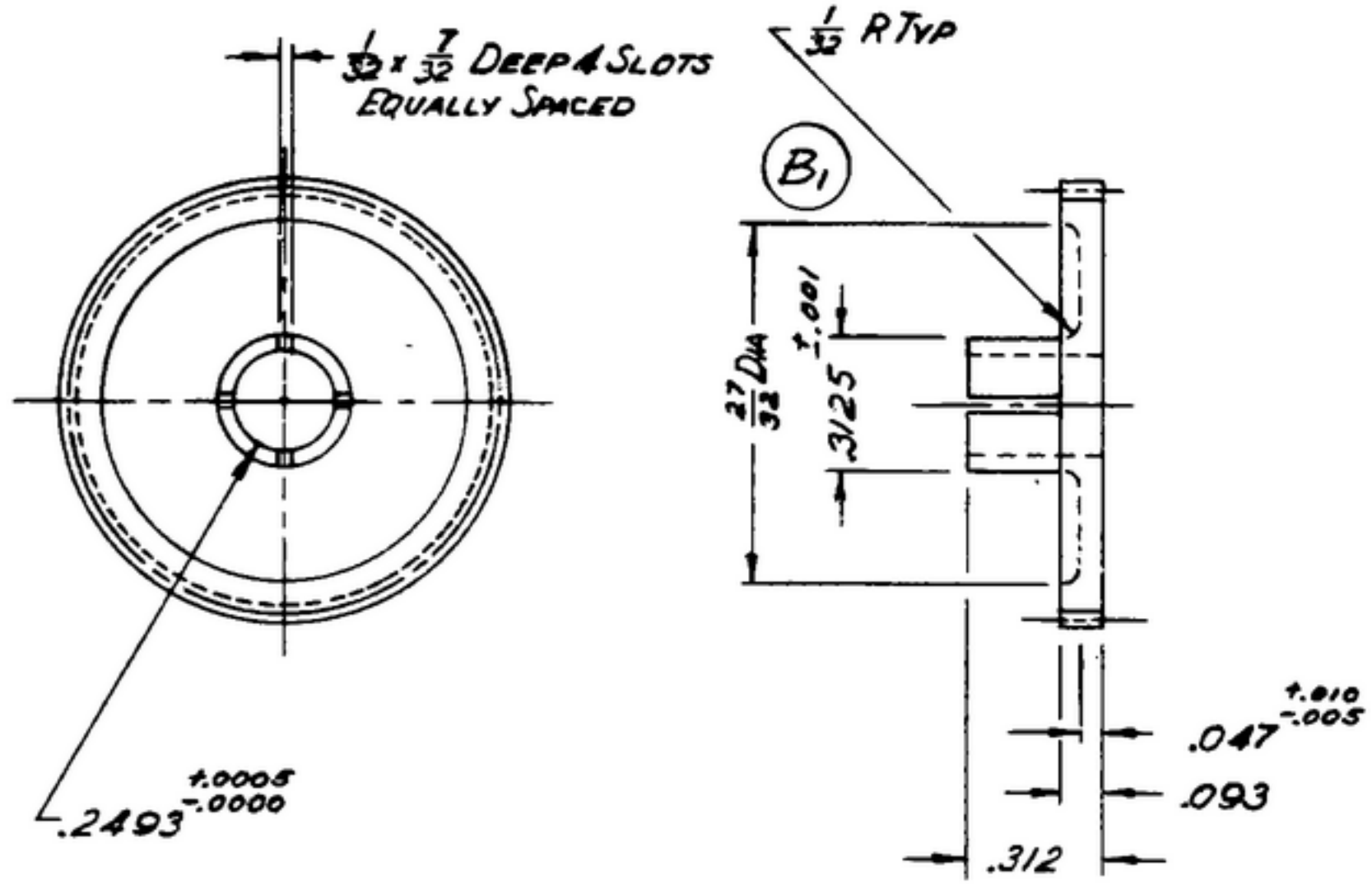


NOTICE: When Government drawings, specifications, or other data are used for any purpose other than in connection with a definitely related Government procurement operation, the United States Government thereby incurs no responsibility or any obligation whatsoever and the fact that the Government may have furnished, furnished, or in any way supplied the said drawings, specifications, or other data is not to be regarded by implication or otherwise as in any manner limiting the holder or any other person or corporation, or conveying any rights or permission to manufacture, use or sell any patented invention that may in any way be related thereto.

NEXT ASSEMBLY	USED ON	SWE	REVISIONS			
SM-D-178679	SC-DL-178467	* APPROVAL	SYM	DESCRIPTION	DATE	APPROVAL
SM-D-343600	SC-DL-248775	S P R Y 18042 M -4	A ₂	A ₁ -STEEL WAS COMP.FM, COND. B, PER SPEC. AN-S-771. FINISH NOTE WAS PER MIL-P-12011. A ₂ -ADDED APPL. SM-D-343600, SM-D-248975, SC-DL-248775.	8 OCT 59	4242B-PC-59-A1-51 REV'D.
SM-D-248975	SC-DL-248775	CA B 84738	B ₁	B ₁ -.001 TOLERANCE WAS .0001.	7 APR. 60	4242B-PC-59 REV'D. FME



NOTES:

1. STEEL, COMP. 3035, COND B, PER SPEC MIL-S-7720.
2. -NORMAL DIAMETRAL PITCH: 24
THEORETICAL PITCH DIAMETER: 1.000
NUMBER OF TEETH: 24
PRESSURE ANGLE: 20°
BACKLASH ON NORMAL PITCH CIRCLE WHEN MATED WITH MASTER: .001/002
AMERICAN STANDARD INVOLUTE TOOTH FORM.
3. -ECCENTRICITY BETWEEN PITCH DIAMETER AND BORE SHALL NOT EXCEED .003 TIR.
4. -SLIGHT BURRS PERMISSIBLE IN SLOTS ALL OTHERS MUST BE REMOVED.
5. -FINISH: E 300 PER SPEC. MIL-F-14072.

NOTE:

*FOR INFORMATION ONLY, CONTRACTOR MAY AT HIS OPTION DEVIATE FROM THESE PROCESS DETAILS

ISSUED	DATE	DESCRIPTION	DATE	BY	NOTE
GEAR					
DEPARTMENT OF THE ARMY SIGNAL CORPS ENGINEERING LABORATORIES FORT MONMOUTH NEW JERSEY					
SM-B-178702					

UNLESS OTHERWISE SPECIFIED	AUTHENTICATION	SCALE 2/1 See Note 4
DIMENSIONS ARE IN INCHES	DRAWN 21852-PA 50-93	
TOLERANCES ON FRACTIONS ± 1/64	TRACED PHOTO	
DECIMALS ± .005	CHECKED [Signature]	
ANGLES ±	VERIFIED RO BR	
COMMERCIAL TOLERANCES APPLY TO STOCK SIZES	APPROVED RO BR	
ALL SURFACES	REVIEWED P ME	
	DATE 19 JUN-53	