

EQUIP. TYPE *R390A1URR* EXP. NO.

COL 5021427-002

NOTICE: WHEN GOVERNMENT DRAWINGS, SPECIFICATIONS, OR OTHER DATA ARE USED FOR ANY PURPOSE OTHER THAN IN CONNECTION WITH A DEFINITELY RELATED GOVERNMENT PROCUREMENT OPERATION, THE UNITED STATES GOVERNMENT THEREBY INCURS NO RESPONSIBILITY FOR ANY OBLIGATION WHATSOEVER, AND THE FACT THAT THE GOVERNMENT MAY HAVE FORMULATED, FURNISHED, OR IN ANY WAY SUPPLIED THE SAID DRAWINGS, SPECIFICATIONS, OR OTHER DATA IS NOT TO BE REGARDED BY IMPLICATION OR OTHERWISE AS IN ANY MANNER LICENSING THE HOLDER OR ANY OTHER PERSON OR CORPORATION, OR CONFERRING ANY RIGHTS OR PERMISSION TO MANUFACTURE, USE, OR SELL ANY PATENTED INVENTION THAT MAY IN ANY WAY BE RELATED THERETO.

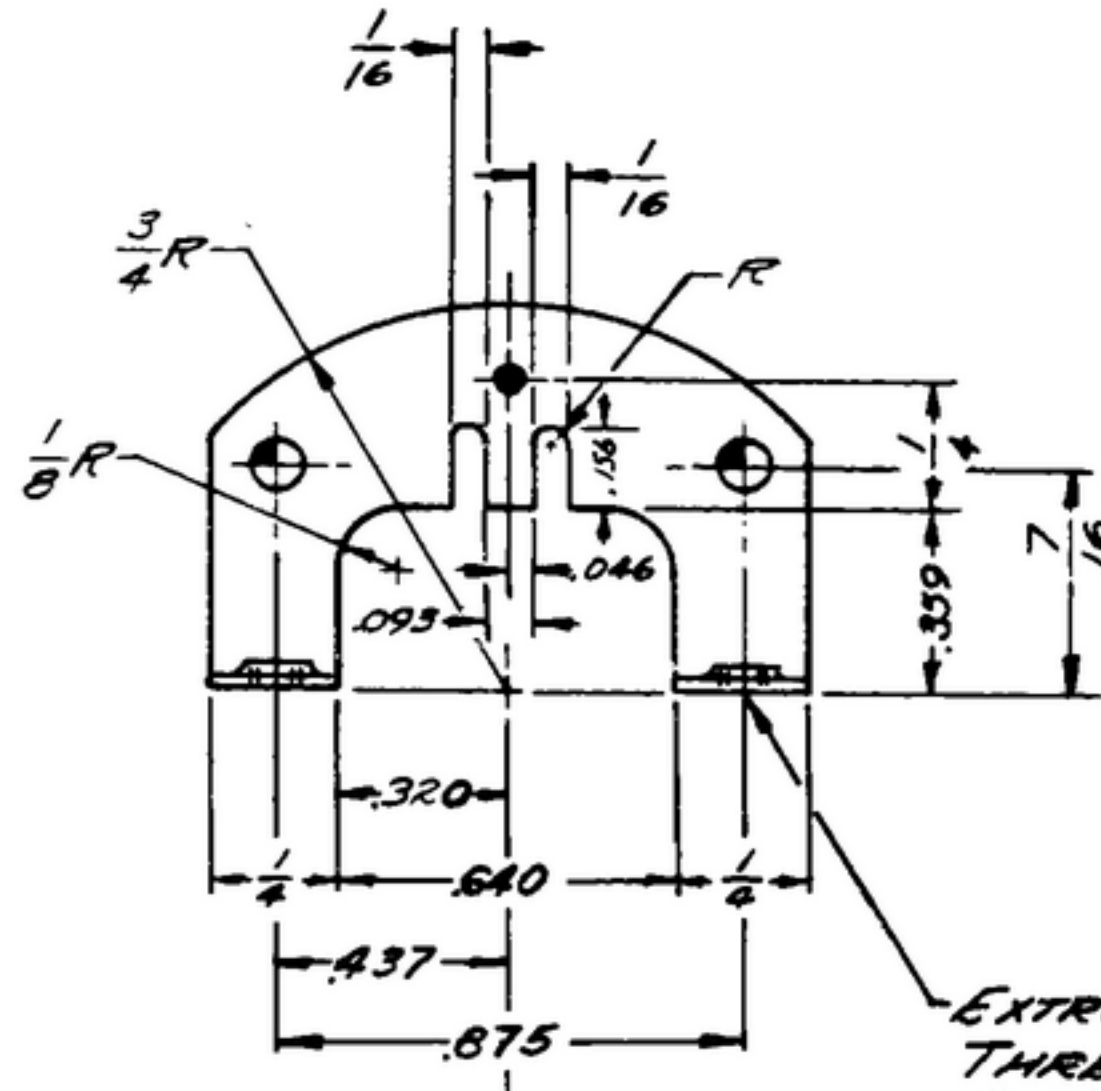
THIS DOCUMENT HAS BEEN PURCHASED BY THE GOVERNMENT AND MAY BE REPRODUCED AND USED IN CONNECTION WITH ANY GOVERNMENT PROCUREMENT OR MAINTENANCE OPERATION.

*FOR INFORMATION ONLY. CONTRACTOR MAY AT HIS OPTION DEVIATE FROM THESE PROCESS DETAILS.

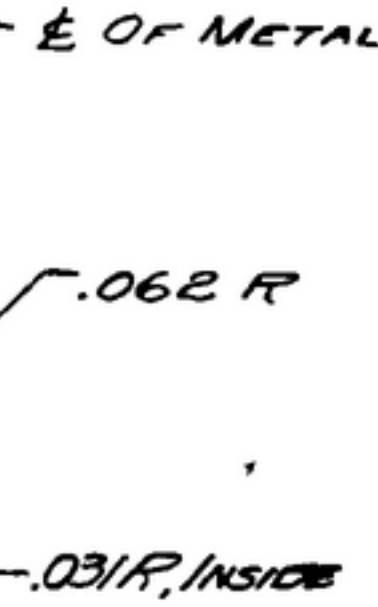
REVISIONS			
SYM	DESCRIPTION	DATE	APPROVAL

HOLE LEGEND
 \bullet $.046^{+0.003}_{-0.002}$ DIA, 1 HOLE

\circ $.095^{+0.003}_{-0.003}$ DIA, 2 HOLES



EXTRUDE, 2 FULL THREADS, 4-40NC-28, 2 HOLES.



MATL: BRASS COMP. 1, TEMPER 1/2 H, PER. SPEC QQ-B-613.

FINISH: M351 PER SPEC. MIL-F-14072.
~~* COLLINS 558-004-00~~

- NOTES:
- PART SHALL BE FREE OF BURRS AND SHARP EDGES.
 - TOLERANCE ON ALL ANGLES, INCLUDING RIGHT ANGLES SHALL NOT EXCEED ± 0.25 DEGREES.
 - TOLERANCE FOR MISALIGNMENT OF HOLES SHOWN ON THE SAME CENTERLINE SHALL NOT EXCEED $\pm .002$.
 - * 4. SAMPLES OF THIS PIECE AND OF THIS FINISH MUST BE APPROVED BY THE CONTRACTORS ENGINEERING DEPT BEFORE PROCEEDING WITH PRODUCTION.
 5. ALL SCREW THREADS PER BUREAU OF STANDARDS HANDBOOK H-28.

ORGAN PART NO.	ITEM	REQD	PART NO.	DESCRIPTION	DATE	DATE SPEC
----------------	------	------	----------	-------------	------	-----------

LIST OF MATERIAL ~~COLLINS PART NO. 558-0050-002~~

<i>558-0363-001</i>	<i>2</i>	<i>SM-D-248818</i>	<i>SC-DL-248775</i>
<i>COLLINS NO.</i>	<i>QTY</i>	<i>NEXT ASSY</i>	<i>USED ON</i>
APPLICATION			

DRAWN *RDE* CHECKED *Blm* APPROVED

UNLESS OTHERWISE SPECIFIED:
 DECIMAL DIMENSIONS INCLUDING HOLE SIZES MAY VARY $\pm .002$
 FRACTIONAL DIMENSIONS INCLUDING HOLE SIZES MAY VARY $\pm 1/64$
 MACHINED ANGLES MAY VARY $\pm 1^\circ$
 SHEARED ANGLES MAY VARY $\pm .25^\circ$
 BROKEN ANGLES MAY VARY $\pm 1^\circ$
 ECCENTRICITY BETWEEN ANY DIAMETERS ON THE SAME CENTERLINE SHALL NOT EXCEED $.010$ TOTAL INDICATOR READING.
 ALL DIMENSIONS ARE FINISH DIMENSIONS INCLUDING APPLIED FINISH AND ARE GIVEN IN INCHES.

COLLINS RADIO CO.
~~ORGAN PART NO. 14214-PH-51-93~~

SIGNAL CORPS
 REVIEWED *PME*
 APPROVED *HLY*
PME

DATE *5 DEC 1955* SCALE *2/1*

SHIELD-TUBE

DEPARTMENT OF THE ARMY
 SIGNAL CORPS ENGINEERING
 LABORATORIES

FORT MONMOUTH NEW JERSEY

SM-B-248827