

EQUIP. TYPE *R390A/URR* EXP. NO.

COL 503 0070 001

NOTICE: WHEN GOVERNMENT DRAWINGS, SPECIFICATIONS, OR OTHER DATA ARE USED FOR ANY PURPOSE OTHER THAN IN CONNECTION WITH A SPECIFICALLY RELATED GOVERNMENT PROCUREMENT OPERATION, THE UNITED STATES GOVERNMENT THEREBY MAKES NO REPRESENTATION OR WARRANTY, AND THE FACT THAT THE GOVERNMENT MAY HAVE FORMULATED, FURNISHED, OR IN ANY WAY SUPPLIED THE SAID DRAWINGS, SPECIFICATIONS, OR OTHER DATA IS NOT TO BE REGARDED BY ILLUSTRATION OR OTHERWISE AS IN ANY MANNER LICENSING THE HOLDER OR ANY OTHER PERSON OR CORPORATION, OR CONVEYING ANY RIGHTS OR PERMISSIONS TO MANUFACTURE, USE, OR SELL ANY PATENTED INVENTION THAT MAY IN ANY WAY BE RELATED THERETO.

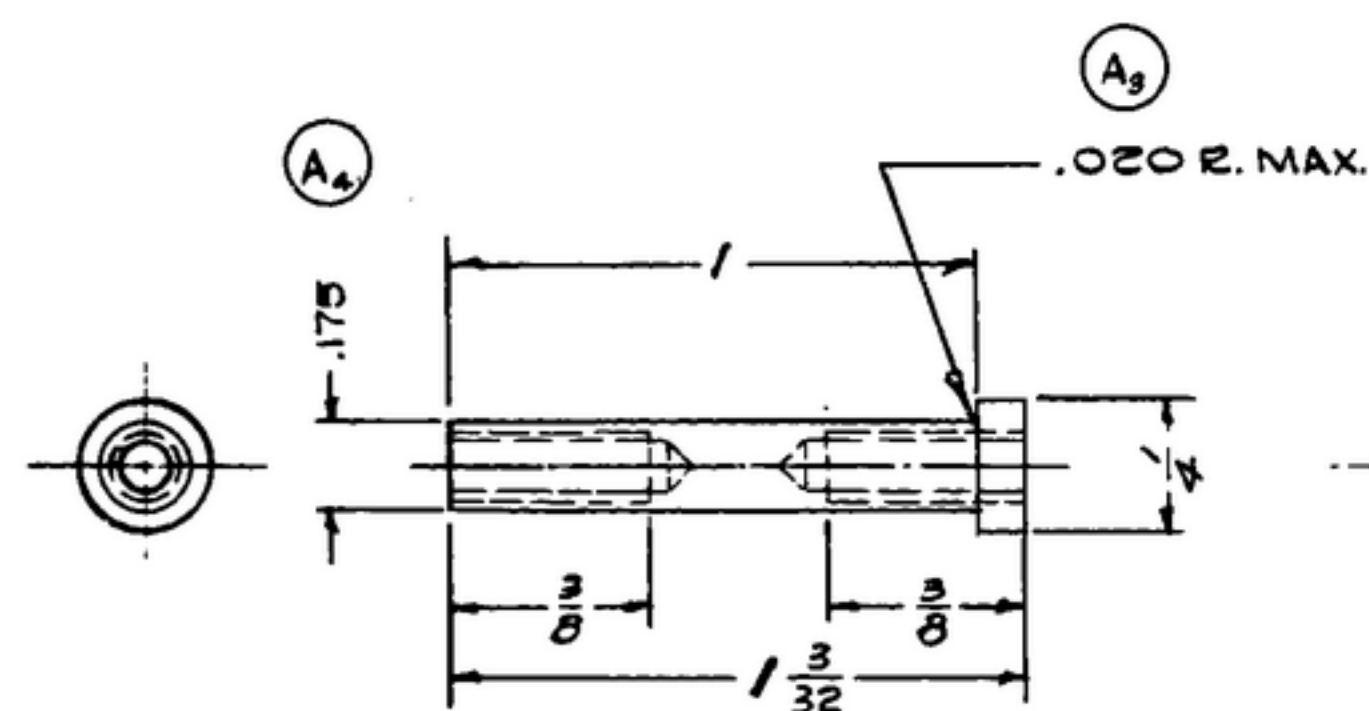
THIS DOCUMENT HAS BEEN PURCHASED BY THE GOVERNMENT AND MAY BE REPRODUCED AND USED IN CONNECTION WITH ANY GOVERNMENT PROCUREMENT OR MAINTENANCE OPERATION.

* FOR INFORMATION ONLY. CONTRACTOR MAY AT HIS OPTION DEVIATE FROM THESE PROCESS DETAILS.

REVISIONS

SYM	DESCRIPTION	DATE	APPROVAL
A ₅	A ₁ -2017 WAS .175; A ₂ -ADDED C'SK; A ₃ -ADDED .020 R MAX; A ₄ -.175 WAS .175; A ₅ -ADDED APPL SM-D-343620	OCT. 59	42428-PC-59-A1-51 REV'D. PME

~~* S.W.E. APPROVAL~~
~~SYM PR 10042 2~~



NOTES:
1. ALL SCREW THREADS PER BUREAU OF STANDARDS HANDBOOK H89.

A₂ 4-40 NC-2B 60° C'SK. x 1/32 DEEP TYP. BOTH ENDS

ALUMINUM ALLOY 2017, TEMPER T4, PER SPEC QQ-A-351
FINISH: E513 PER SPEC MIL-F-14072.

* ~~COLLINS 558 0036 00.~~

COLLINS PART NO.	TYPE	REQD	PART NO.	DESCRIPTION	MATL.	MATL. SPEC.
LIST OF MATERIAL						
COLLINS PART NO. <i>558 0053 002</i>						

DRAWN <i>HENRY</i>				CHECKED <i>[Signature]</i>	APPROVED	COLLINS RADIO CO. -CEDAR RAPIDS, IOWA- 14214 - P.H. 51-93	Post-TAPPED	DEPARTMENT OF THE ARMY SIGNAL CORPS ENGINEERING LABORATORIES FORT MONMOUTH NEW JERSEY
UNLESS OTHERWISE SPECIFIED: DECIMAL DIMENSIONS INCLUDING HOLE SIZES MAY VARY ±.005 FRACTIONAL DIMENSIONS INCLUDING HOLE SIZES MAY VARY ±1/64 MACHINED ANGLES MAY VARY ±.1° SHEARED ANGLES MAY VARY ±.25° BROKEN ANGLES MAY VARY ±.1° ECCENTRICITY BETWEEN ANY DIAMETERS ON THE SAME CENTERLINE SHALL NOT EXCEED .010 TOTAL INDICATOR READING. ALL DIMENSIONS ARE FINISH DIMENSIONS INCLUDING APPLIED FINISH AND ARE GIVEN IN INCHES.				SIGNAL CORPS	REVIEWED <i>PME</i>	SM-B-248828		
APPLICATION				APPROVED <i>HLV</i>	APPROVED <i>PME</i>			
COLLINS NO.	QTY	NEXT ASSY	USED ON	DATE <i>28 Dec 55</i>	SCALE <i>2/1</i>			