

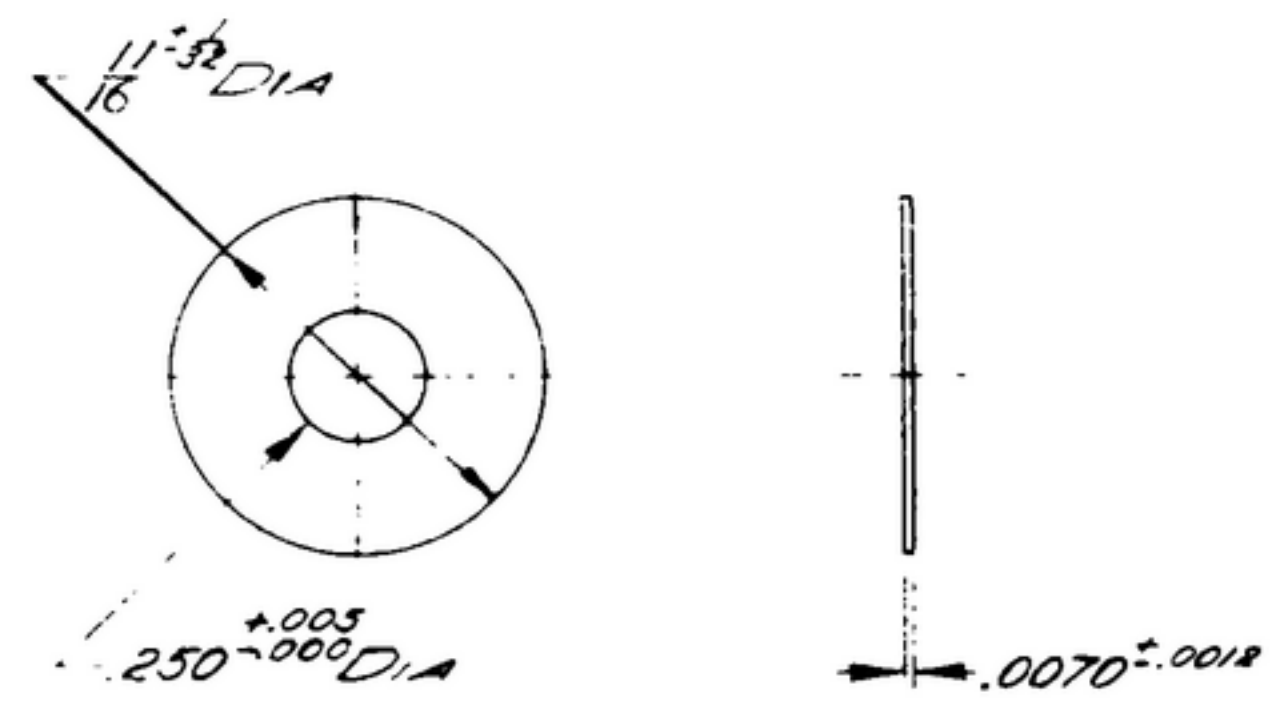
WHILE WHEN GOVERNMENT DRAWINGS, SPECIFICATIONS, OR OTHER DATA ARE USED FOR ANY PURPOSE OTHER THAN IN CONNECTION WITH A DEFINITELY RELATED GOVERNMENT PROCUREMENT OPERATION THE UNITED STATES GOVERNMENT THEREBY INCURS NO RESPONSIBILITY NOR ANY OBLIGATION WHATSOEVER, AND THE FACT THAT THE GOVERNMENT MAY HAVE FURNISHED THEREON OR IN ANY WAY SUPPLIED THE SAID DRAWINGS, SPECIFICATIONS, OR OTHER DATA IS NOT TO BE REGARDED BY IMPLICATION OR OTHERWISE AS IN ANY MANNER LICENSEING THE HOLDER OR ANY OTHER PERSON OR CORPORATION OR CONFERRING ANY RIGHTS OR PERMISSION TO MANUFACTURE OR USE OR SELL ANY PATENTED INVENTION THAT MAY IN ANY WAY BE RELATED THERETO.

THIS DOCUMENT HAS BEEN PURCHASED BY THE GOVERNMENT AND MAY BE REPRODUCED AND USED IN CONNECTION WITH ANY GOVERNMENT PROCUREMENT OR MAINTENANCE OPERATION.

* FOR INFORMATION ONLY. CONTRACTOR MAY AT HIS OPTION DEVIATE FROM THESE PROCESS DETAILS.

REVISIONS			
SYM	DESCRIPTION	DATE	APPROVAL
A1	A1 NOTES REVISED; A2 ADDED	6 OCT 55	42428 PC -59-A1-51
A2	A1 NOTES REVISED; A2 ADDED APPL, SM-D-343597, SM-D-343598, SC-DL-248775	6 OCT 55	42428 PC -59-A1-51 REV'D FME

~~* SWE APPROVAL~~
~~SYMA PR-100423~~



(A1)

NOTES:

- BRASS COMP. 1 OR 2, TEMPER. 1/4 H, PER SPEC QQ-B-613.
- FINISH: CHEMICAL POLISH PER IRIDIATE #7 METCOTE PROCESS BY ALLIED RESEARCH PRODUCTS INC., BALTIMORE, MD., OR EQUAL.
~~COLLINS 580 0034 00~~ (* SAME AS 572167)
- REMOVE ALL BURRS & SHARP EDGES.

(A2)

COLLINS PART NO.	ITEM	REQD	PART NO.	DESCRIPTION	MATL.	MATL. SPEC.
LIST OF MATERIAL						
COLLINS PART NO. <i>558-0215-002</i>						

				DRAWN <i>RCHILL</i>	CHECKED <i>RCM</i>	APPROVED	COLLINS RADIO CO. 2626 S. RAYMOND IOWA	WASHER	DEPARTMENT OF THE ARMY SIGNAL CORPS ENGINEERING LABORATORIES FORT MONMOUTH NEW JERSEY	
							<i>1A214-PH-51-93</i>			
							SIGNAL CORPS			
							REVIEWED <i>P.E.</i>			
							APPROVED <i>P.E.</i>			
558-0309-003	H	SM-D-343597	SC-DL-248775	UNLESS OTHERWISE SPECIFIED DECIMAL DIMENSIONS INCLUDING HOLE SIZES MAY VARY ±.008 FRACTIONAL DIMENSIONS INCLUDING HOLE SIZES MAY VARY ±1/64 MACHINED ANGLES MAY VARY ±1° SHEARED ANGLES MAY VARY ±28° BROKEN ANGLES MAY VARY ±1° ECCENTRICITY BETWEEN ANY DIAMETERS ON THE SAME CENTERLINE SHALL NOT EXCEED 0.10 TOTAL INDICATOR READING ALL DIMENSIONS ARE FINISH DIMENSIONS INCLUDING APPLIED FINISH AND ARE GIVEN IN INCHES						
		SM-D-343597								
		SM-C-248960								
		SM-C-248961	SC-DL-248775							
COLLINS NO.	COPY	NEXT ASSY	USED ON	APPLICATION			DATE <i>2 DEC 55</i>	SCALE <i>2/1</i>		