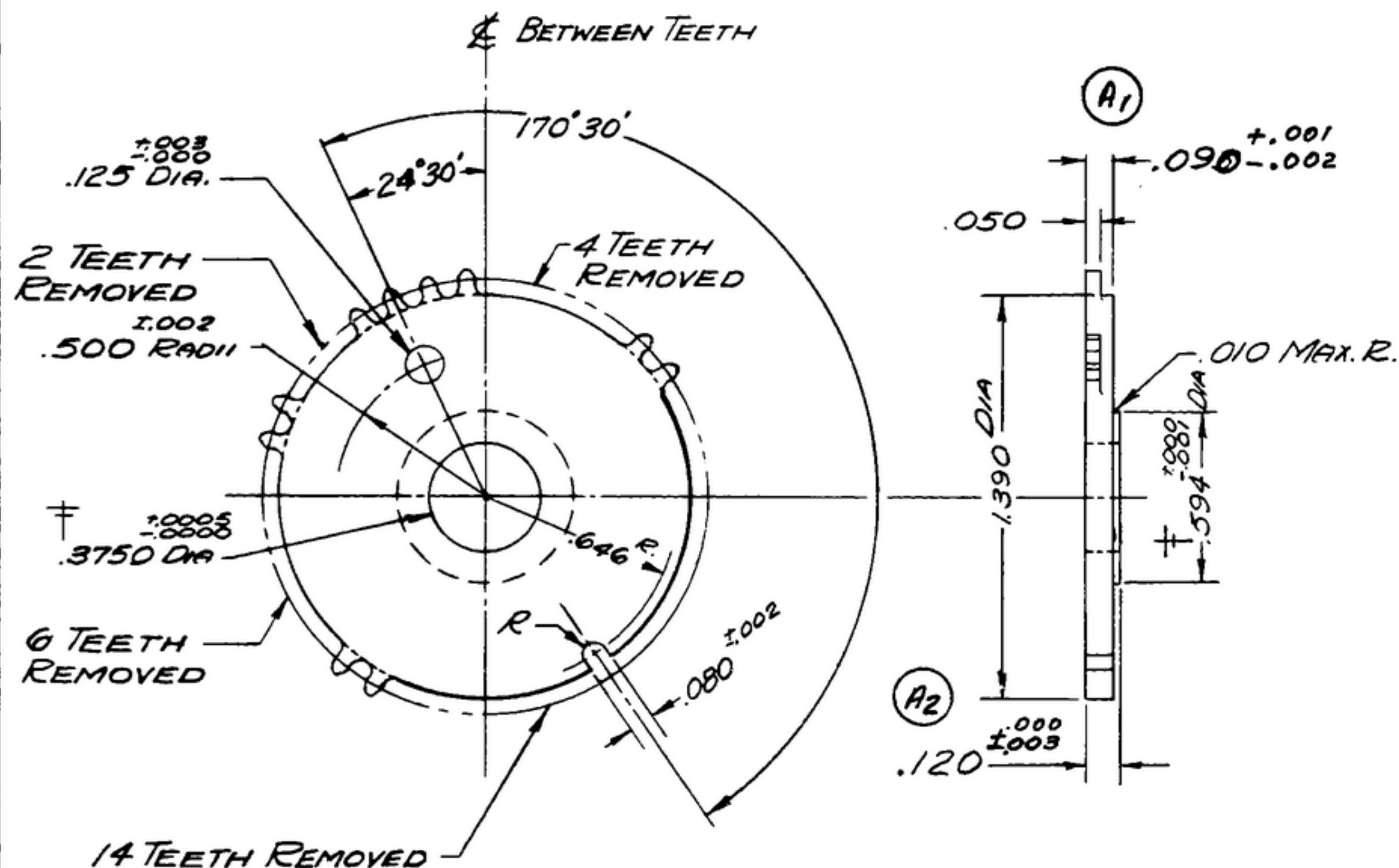


NOTICE: WHEN GOVERNMENT DRAWINGS, SPECIFICATIONS, OR OTHER DATA ARE USED FOR ANY PURPOSE OTHER THAN IN CONNECTION WITH A SPECIFICALLY RELATED GOVERNMENT PROCUREMENT OPERATION, THE UNITED STATES GOVERNMENT THEREBY INCURS NO RESPONSIBILITY AND ANY OBLIGATION WHATSOEVER AND THE FACT THAT THE GOVERNMENT MAY HAVE FORMULATED, PROVIDED, OR IN ANY WAY SUPPLIED THE SAID DRAWINGS, SPECIFICATIONS, OR OTHER DATA IS NOT TO BE REGARDED BY REPLICATION OR OTHERWISE AS IN ANY MANNER ENDORSING THE RELEASE OR ANY OTHER FORM OF DISSEMINATION, OR CONFERRING ANY RIGHTS OR PRIVILEGES TO MANUFACTURE, USE, OR SELL ANY PATENTED INVENTION THAT MAY IN ANY WAY BE RELATED THERETO.

THIS DOCUMENT HAS BEEN PURCHASED BY THE GOVERNMENT AND MAY BE REPRODUCED AND USED IN CONNECTION WITH ANY GOVERNMENT PROCUREMENT OR SAMPLING OPERATION.

\*FOR INFORMATION ONLY. CONTRACTOR MAY AT HIS OPTION DEVIATE FROM THESE PROCESS DETAILS.

REVISIONS			
SYM	DESCRIPTION	DATE	APPROVAL
A	(1) .090 <sup>+0.001</sup> / <sub>-.002</sub> WAS .093 <sup>+0.002</sup>	16 OCT 60	4242B-PC-59
	(2) .120 <sup>+0.000</sup> / <sub>-.003</sub> WAS .120 <sup>+0.003</sup>		REV'D PME



NOTES:  
 1. REMOVE ALL BURRS.  
 2. 26 TEETH REMOVED TO ROOT DIAMETER AS SHOWN.  
 3. ECCENTRICITY BETWEEN DIA MARKED † MUST NOT EXCEED .003 T.I.R.  
 4. GEAR DATA:  
 NORMAL DIAMETRAL PITCH: 24  
 NORMAL PRESSURE ANGLE: 20°  
 NUMBER OF TEETH: 36  
 THEORETICAL PITCH DIAMETER: 1.500  
 BACKLASH: .0025 TO .0035 WHEN R. REFERRED TO THE THEORETICAL PITCH CIRCLE  
 TOTAL COMPOSITE ERROR NOT TO EXCEED .003 WHEN MEASURED WITH MASTER GEAR  
 AMERICAN STANDARD INVOLUTE TOOTH FORM.  
 ALL TERMS USED AS DEFINED BY AGMA STANDARDS.

CRE5, COMP 3035, COND. B, SURFACE COND d,  
 PER SPEC MIL-S-7720.

COLLINS PART NO.	ITEM	QTY	PART NO.	DESCRIPTION	MATL.	MATL. SPEC.
LIST OF MATERIAL						
-COLLINS PART NO. 558-0274-002-						

558-0318-003	1	SM-C-248969	SC-DL-248775
COLLINS NO.	QTY	NEXT ASSY	USED ON
APPLICATION			

DRAWN: JENNETT  
 CHECKED: *RM*  
 APPROVED: \_\_\_\_\_

UNLESS OTHERWISE SPECIFIED:  
 DECIMAL DIMENSIONS INCLUDING HOLE SIZES MAY VARY ±.005  
 FRACTIONAL DIMENSIONS INCLUDING HOLE SIZES MAY VARY ±1/64  
 MACHINED ANGLES MAY VARY ±1°  
 SHEARED ANGLES MAY VARY ±.25°  
 BROKEN ANGLES MAY VARY ±1°  
 ECCENTRICITY BETWEEN ANY DIAMETERS ON THE SAME CENTERLINE SHALL NOT EXCEED .010 TOTAL INDICATOR READING.  
 ALL DIMENSIONS ARE FINISH DIMENSIONS INCLUDING APPLIED FINISH AND ARE GIVEN IN INCHES.

-COLLINS-RADIO CO.  
 -CEDAR RAPIDS, IOWA-  
 1A21A-PH  
 51-93  
 SIGNAL CORPS  
 REVIEWED: PME  
 APPROVED: HLY  
 PME  
 DATE: 14 DEC 55 SCALE: 2/1

DEPARTMENT OF THE ARMY  
 SIGNAL CORPS ENGINEERING  
 LABORATORIES  
 FORT MONMOUTH NEW JERSEY  
 SM-B-248925