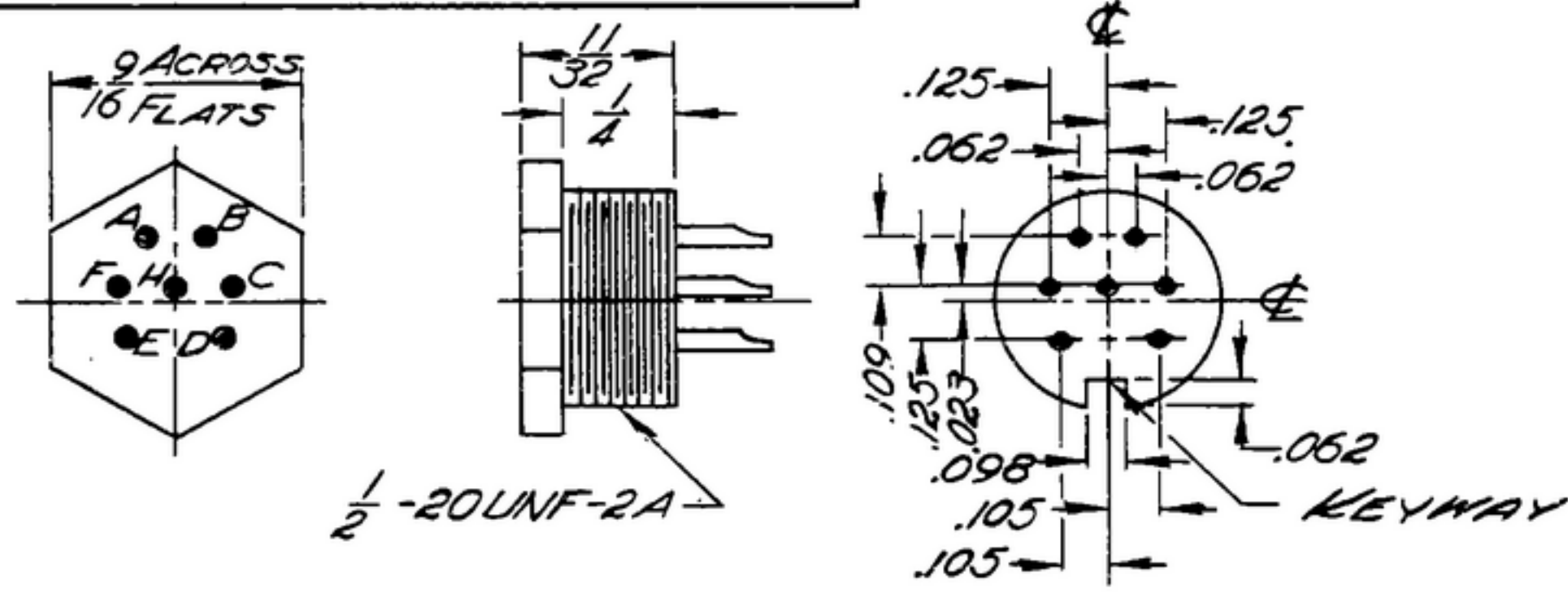


NOTICE: WHEN GOVERNMENT DRAWINGS, SPECIFICATIONS, OR OTHER DATA ARE USED FOR ANY PURPOSE OTHER THAN IN CONNECTION WITH A DEFINITELY RELATED GOVERNMENT PROCUREMENT OPERATION, THE UNITED STATES GOVERNMENT THEREBY INCURS NO RESPONSIBILITY NOR ANY OBLIGATION WHATSOEVER; AND THE FACT THAT THE GOVERNMENT MAY HAVE FORMULATED, FURNISHED, OR IN ANY WAY SUPPLIED THE SAID DRAWINGS, SPECIFICATIONS, OR OTHER DATA IS NOT TO BE REGARDED BY IMPLICATION OR OTHERWISE AS IN ANY MANNER LICENSING THE HOLDER OR ANY OTHER PERSON OR CORPORATION, OR CONVEYING ANY RIGHTS OR PERMISSION TO MANUFACTURE, USE, OR SELL ANY PATENTED INVENTION THAT MAY IN ANY WAY BE RELATED THERETO.

THIS DOCUMENT HAS BEEN PURCHASED BY THE GOVERNMENT AND MAY BE REPRODUCED AND USED IN CONNECTION WITH ANY GOVERNMENT PROCUREMENT OR MAINTENANCE OPERATION.

\* FOR INFORMATION ONLY. CONTRACTOR MAY AT HIS OPTION DEVIATE FROM THESE PROCESS DETAILS.

REVISIONS			
SYM	DESCRIPTION	DATE	APPROVAL
<del>A<sub>1</sub></del>	<del>A<sub>1</sub> WAS MIL-P-14</del>	<del>15 OCT 59</del>	<del>42428-PC</del>
A <sub>2</sub>	A <sub>1</sub> WAS MIL-P-14 A <sub>2</sub> ADDED NOTE 2	15 OCT 59	42428-PC 59-A1-51 REV'D PME



NOTES:  
1. PART MAY BE NO. 14944, AS SUPPLIED BY CINCH MFG. CO., CHICAGO, ILL., OR EQUAL, PROVIDING IT MEETS THE FOLLOWING REQUIREMENTS AND DIMENSIONS SHOWN.

DESCRIPTION: SOCKET INSERT, 7 CONTACT FRONT PANEL MOUNT RECEPTACLE CONNECTOR.  
 INSULATION: THERMOSETTING PLASTIC TYPE MFE, CMG OR BETTER, IN ACCORDANCE WITH SPEC MIL-P-14. ALTERNATE INSULATION: POLYESTER TYPE MOLDED PLASTIC IN ACCORDANCE WITH SPEC MIL-P-4989 OR EQUAL.  
 CONTACTS: MATERIAL BRASS; FINISH: M351 PER SPEC MIL-F-14072 WITH ENTIRE CONTACT M310 PER SPEC MIL-F-14072. ALTERNATE FINISH M351 PER SPEC MIL-F-14072 WITH SOLDER POTS M317 PER SPEC MIL-F-14072.  
 CONTACT RATING: 5 AMPS, 500 VOLTS AC RMS MAXIMUM AT SEA LEVEL.  
 KEYWAY MAY BE OMITTED.

A<sub>2</sub> 2. CONNECTORS SHALL MEET THE APPLICABLE REQUIREMENTS OF MIL-C-8384 EXCEPT WHERE AMENDED BY SPECIFICATION

COLLINS PART NO.	ITEM	REQD	PART NO.	DESCRIPTION	MATL	MATL SPEC
LIST OF MATERIAL						
COLLINS PART NO. <i>599-6301-002</i>						

				DRAWN <i>R C HILL</i>	CHECKED <i>RCH</i>	APPROVED	COLLINS RADIO CO. DESAR, RAINES, IOWA		DEPARTMENT OF THE ARMY SIGNAL CORPS ENGINEERING LABORATORIES  FORT MONMOUTH NEW JERSEY  <i>SM-B-283200</i>
				UNLESS OTHERWISE SPECIFIED: DECIMAL DIMENSIONS INCLUDING HOLE SIZES MAY VARY ±.005 FRACTIONAL DIMENSIONS INCLUDING HOLE SIZES MAY VARY ±1/64 MACHINED ANGLES MAY VARY ±.1° SHEARED ANGLES MAY VARY ±.25° BROKEN ANGLES MAY VARY ±.1° ECCENTRICITY BETWEEN ANY DIAMETERS ON THE SAME CENTERLINE SHALL NOT EXCEED .010 TOTAL INDICATOR READING. ALL DIMENSIONS ARE FINISH DIMENSIONS INCLUDING APPLIED FINISH AND ARE GIVEN IN INCHES.			14214-PH-51-93		
							SIGNAL CORPS		
							REVIEWED <i>PME</i>		
							APPROVED <i>HLV</i> <i>PME</i>		
APPLICATION				DATE <i>19 JAN 56</i>		SCALE <i>2/1</i>			