

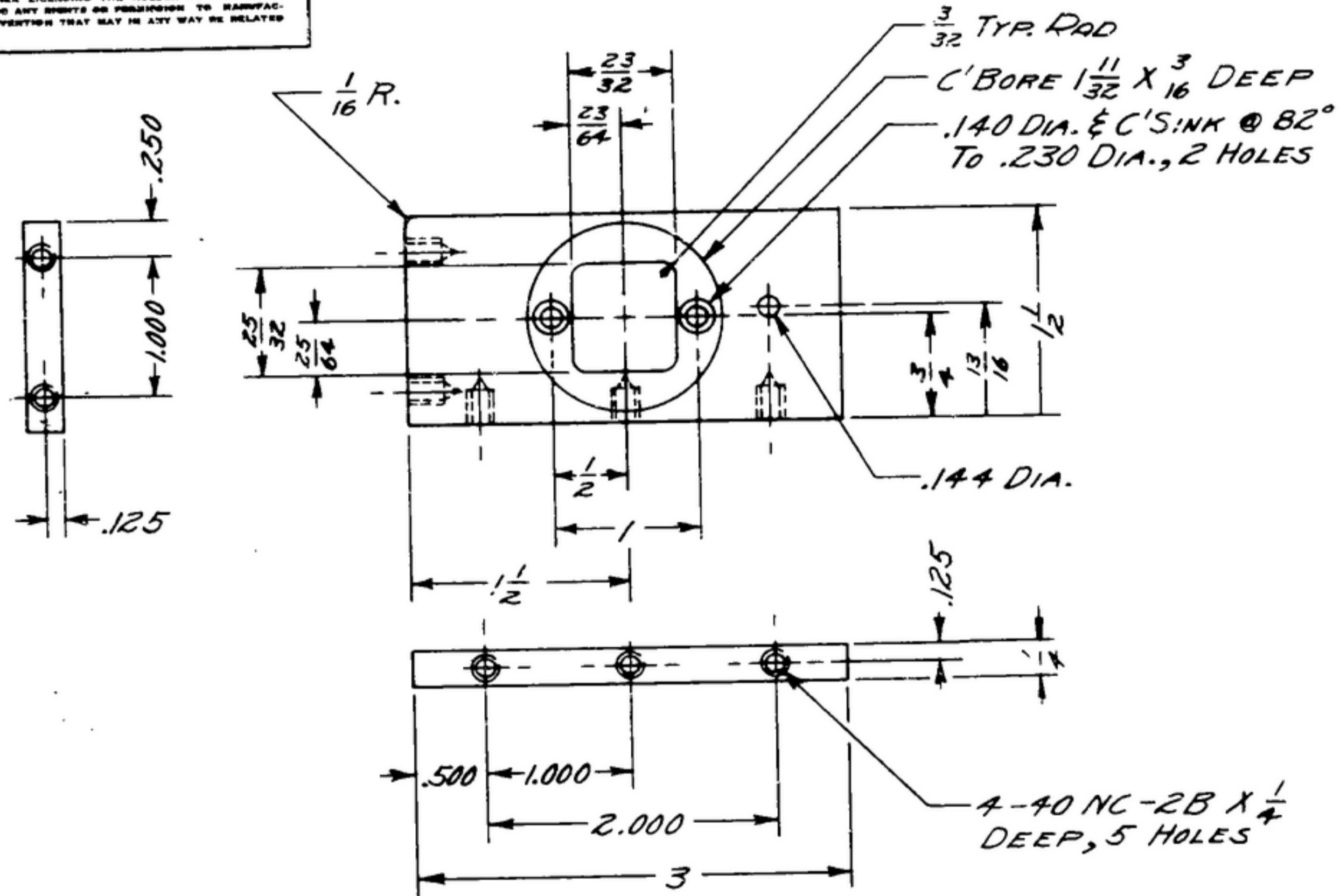
NOTICE: WHEN GOVERNMENT DRAWINGS, SPECIFICATIONS, OR OTHER DATA ARE USED FOR ANY PURPOSE OTHER THAN IN CONNECTION WITH A SPECIFICALLY RELATED GOVERNMENT PROCUREMENT OPERATION, THE UNITED STATES GOVERNMENT THEREBY INCURS NO RESPONSIBILITY AND ANY OBLIGATION WHATSOEVER AND THE FACT THAT THE GOVERNMENT MAY HAVE FORMULATED, FURNISHED, OR IN ANY WAY SUPPLIED THE SAID DRAWINGS, SPECIFICATIONS, OR OTHER DATA IS NOT TO BE REGARDED BY REPLICATION OR OTHERWISE AS IN ANY MANNER LICENSING THE HOLDER OR ANY OTHER PERSON OR CORPORATION, OR CONFERRING ANY RIGHTS OR PERMISSION TO MANUFACTURE, USE, OR SELL ANY PATENTED INVENTION THAT MAY IN ANY WAY BE RELATED THEREBY.

THIS DOCUMENT HAS BEEN PURCHASED BY THE GOVERNMENT AND MAY BE REPRODUCED AND USED IN CONNECTION WITH ANY GOVERNMENT PROCUREMENT OR MAINTENANCE OPERATION.

*FOR INFORMATION ONLY. CONTRACTOR MAY AT HIS OPTION DEVIATE FROM THESE PROCESS DETAILS.

OBIG ISSUE A REVISIONS 24 AUG 56

SYM	DESCRIPTION	DATE	APPROVAL
-----	-------------	------	----------



245-T4 ALUM PER QQ-A-355

- Notes
 1. FINISH: E513 PER SPEC MIL-F-14072.
 2. ALL THREADS PER H28

NEXT ASSY	USED ON	NEXT ASSY	USED ON
SM-D-33314		SM-D-33308	
SM-D-33313		SM-D-33307	
SM-D-33312		SM-D-33306	
SM-D-33311		SM-D-33305	
SM-D-33310		SM-D-33304	
SM-D-33309	SC-6L-57655	SM-D-33207	SC-6L-57655

UNLESS OTHERWISE SPECIFIED
 DIMENSIONS ARE IN INCHES
 TOLERANCES ON
 FRACTIONS DECIMALS ANGLES
 $\pm \frac{L}{64}$ $\pm .005$ $\pm .1^\circ$

DET. NO.	REQD.	PART NO.	DESCRIPTION	QTY.	FINISH	QTY.	NOTE
LIST OF MATERIAL							
			COLLINS RADIO CO CEDAR RAPIDS, IA 08719-PH-55-93	DEPARTMENT OF THE ARMY SIGNAL CORPS ENGINEERING LABORATORIES PORT MONMOUTH NEW JERSEY SM-B-31249			
			SIGNAL CORPS				
			REVIEWED XXX APPROVED S. J. X				
			PLATE				
			DATE 24 AUG 56	SCALE 1/1			

WHEN REFERRING TO THIS DRAWING STATE DRAWING NO., APPLICABLE ISSUE SYMBOL, IF ANY, AND DATE.