

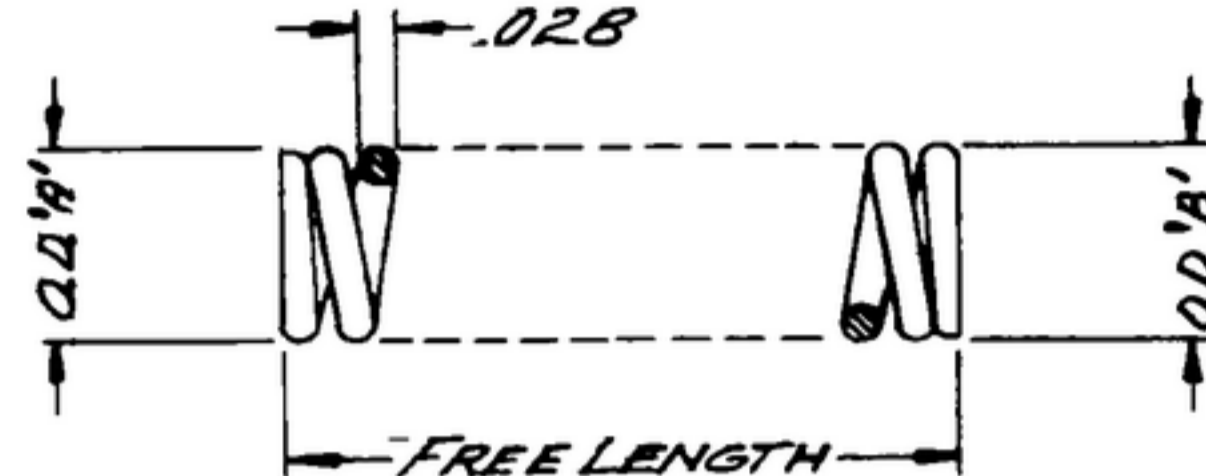
NOTES: UNLESS OTHERWISE SPECIFIED, DIMENSIONS, SPECIFICATIONS, OR OTHER DATA ARE USED FOR ANY PURPOSE OTHER THAN IN CONNECTION WITH A DEFINITELY RELATED GOVERNMENT PROCUREMENT OPERATION. THE UNITED STATES GOVERNMENT THEREBY ASSUMES NO RESPONSIBILITY FOR ANY DELAY OR DAMAGE WHATSOEVER AND THE FACT THAT THE GOVERNMENT MAY HAVE FORMULATED, PRESERVED, OR IN ANY WAY SUPPLIED THE SAID DRAWINGS, SPECIFICATIONS, OR OTHER DATA IS NOT TO BE CONSTRUED AS IMPLICATION OR OTHERWISE AS IN ANY MANNER LIMITING THE HOLDER OR ANY OTHER PERSON OR CORPORATION, OR CONVEYING ANY RIGHTS OR PERMISSION TO MANUFACTURE, USE, OR SELL ANY PATENTED INVENTION THAT MAY IN ANY WAY BE RELATED THERETO.

THIS DOCUMENT HAS BEEN PREPARED BY THE CONTRACTOR AND MAY BE REPRODUCED AND USED IN CONNECTION WITH ANY GOVERNMENT PROCUREMENT OR CONTRACT OPERATION.

FOR INFORMATION ONLY. CONTRACTOR MAY AT HIS OPTION DEVIATE FROM THESE PROCESS DETAILS.

ORIG. ISSUE A REVISIONS 20 AUG 56

SYM	DESCRIPTION	DATE	APPROVAL
-----	-------------	------	----------



WIRE, SPRING STEEL PER QQ-W-470.

NOTES:
1. FINISH: M262 & E200 PER SPEC MIL-F-14072.

FREE LENGTH : 1/16
 O.D. A : .380
 O.D. B : .360
 LOAD @ 7/16 : 1 LB. 4 OZ.
 LOAD @ 1/8 : 3 LB. 4 OZ.
 STYLE ENDS : SQUARED

UNLESS OTHERWISE SPECIFIED	
DIMENSIONS ARE IN INCHES	
TOLERANCES ON	
FRACTIONS	DECIMALS ANGLES
$\pm \frac{1}{64}$	± 0.005
SM-C-33506	SM-A-57655
NEXT ASSY	USED ON
APPLICATION	

QTY	REQ	PART NO.	DESCRIPTION	ENTL	FINISHED SIZE	QTY	NOTE
LIST OF MATERIAL							
			SPRING	DEPARTMENT OF THE ARMY SIGNAL CORPS ENGINEERING LABORATORIES FORT MONMOUTH NEW JERSEY			
			REVIEWED XXX	SM-B-34395			
			APPROVED R. J. J.				
			DATE 20 AUG 56	SCALE			