

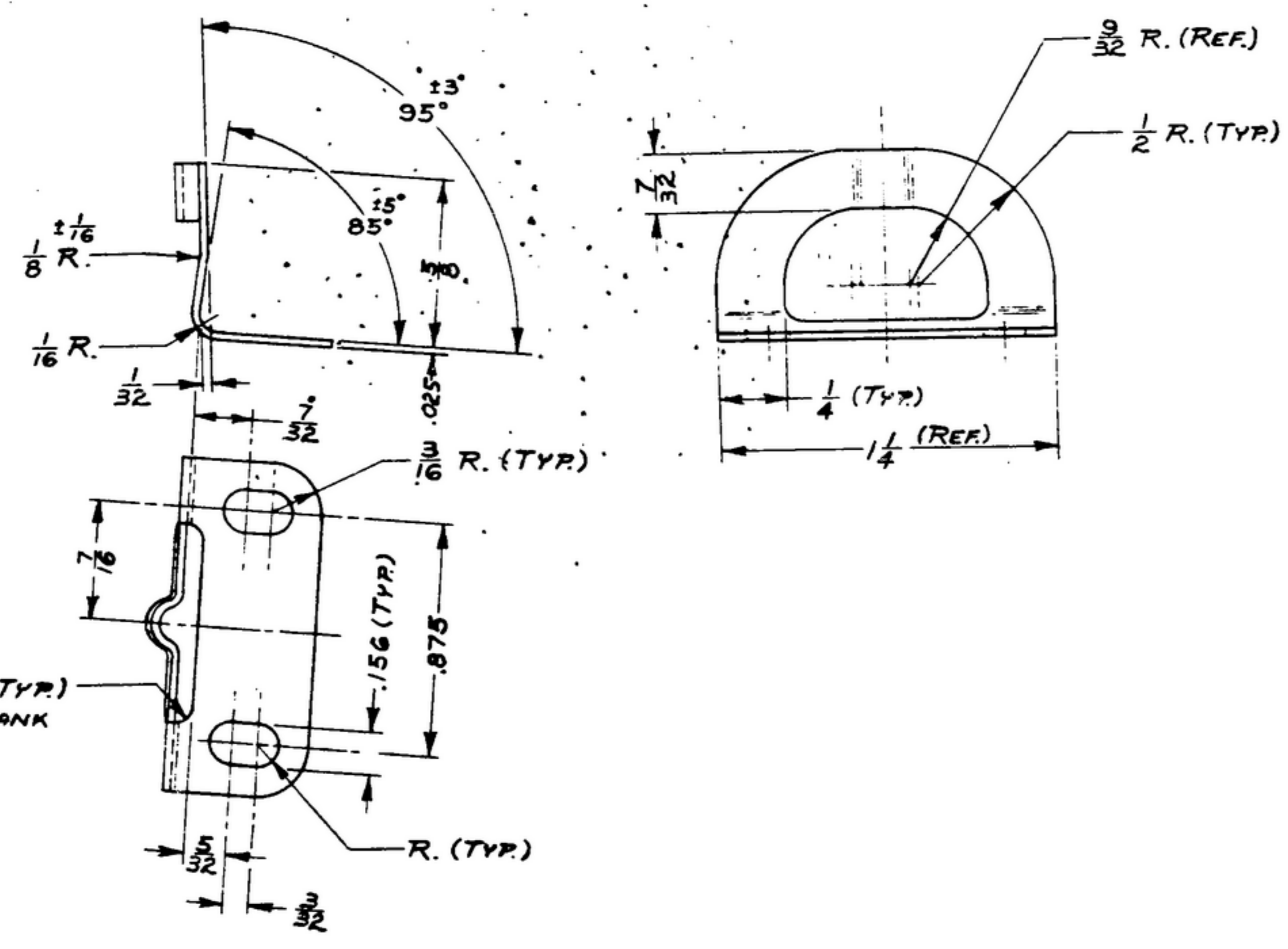
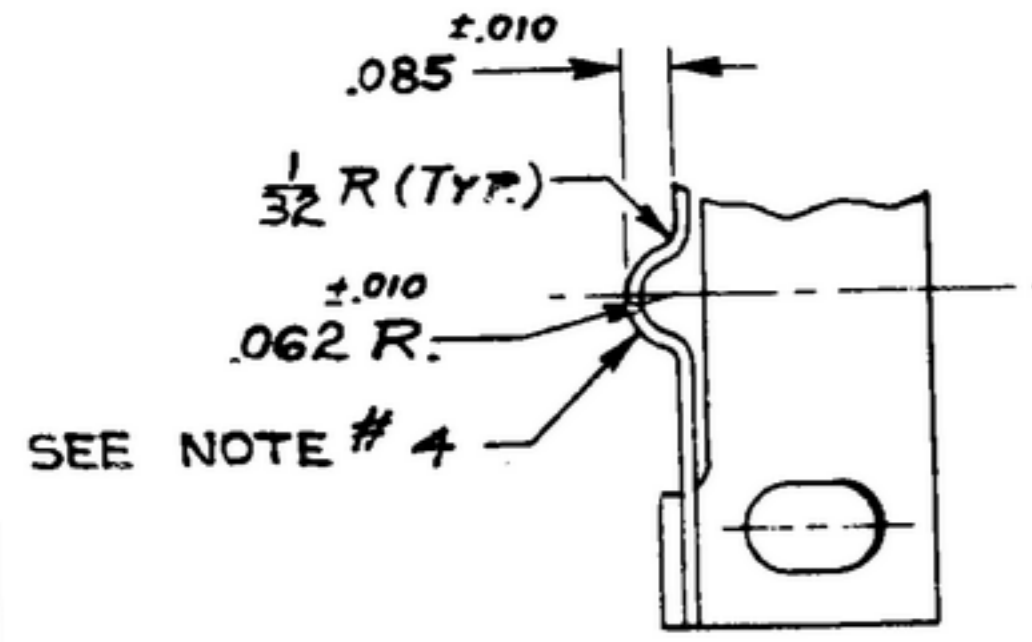
506 2060596 2060002 R-391

NOTICE: WHEN GOVERNMENT DRAWINGS, SPECIFICATIONS, OR OTHER DATA ARE USED FOR ANY PURPOSE OTHER THAN IN CONNECTION WITH A DEFINITELY RELATED GOVERNMENT PROCUREMENT OPERATION, THE UNITED STATES GOVERNMENT THEREBY INCUR NO RESPONSIBILITY FOR ANY OMISSION, WHATSOEVER, AND THE FACT THAT THE GOVERNMENT MAY HAVE FORMULATED, FURNISHED, OR IN ANY WAY SUPPLIED THE SAID DRAWINGS, SPECIFICATIONS, OR OTHER DATA IS NOT TO BE REGARDED BY INVENTION OR OTHERWISE AS IN ANY MANNER LICENSING THE HOLDER OR ANY OTHER PERSON OR CORPORATION, OR CONFERRING ANY RIGHTS OR PERMISSION TO MANUFACTURE, USE, OR SELL ANY PATENTED INVENTION THAT MAY IN ANY WAY BE RELATED THERETO.

NOTE: FOR INFORMATION ONLY, CONTRACTOR MAY AT HIS OPTION DEVIATE FROM THESE PROCESS DETAILS

SWLE APPROVAL
SYM: PR 10042-5

REVISIONS			
SYM	DESCRIPTION	DATE	APPROVAL
A ₁	RENUMBER NOTES & ADDED NOTES 3 & 4.		42428-PC-59-A1-51
A ₂	ADDED APPL. SM-B-178752, SC-DL-248775.	9 OCT. 59	
A ₃	COPPER WAS PER SPEC. MIL-C-6942.		REV'D. PME



- NOTES: (A₁)
- (A₃) 1. BERYLLIUM COPPER, COND. 1/4 H, PER SPEC. QQ-C-533
 - 2. HEAT TREAT 54-60 ON ROCKWELL 30N SCALE.
 - 3. FINISH: M316 PER MIL-F-14072 EXCEPT CHROME PLATING TO BE .002-.003 THICK. SEE NOTE 4 ON RADII.
 - 4. SURFACE OF RADII BEFORE & AFTER PLATING MUST MEASURE LESS THAN 8 MICRO-INCHES. THIS RADII MUST BE BUFFED BEFORE, DURING AND AFTER PLATING SO THAT END RESULT IS A GLOSSY MIRROR-LIKE SURFACE FINISH.

QTY	PART NO.	DESCRIPTION	DATE	DATE SPEC.
LIST OF MATERIAL				
SPRING				
SIGNAL CORPS ENGINEERING LABORATORIES PORT MONMOUTH NEW JERSEY				
SM-C-178828				

UNLESS OTHERWISE SPECIFIED		AUTHENTICATION	
DIMENSIONS ARE IN INCHES		DRAWN <i>P.D.B.R.</i>	
TOLERANCES ON FRACTIONS DECIMALS ANGLES		TRACED <i>PHOTO</i>	
± 1/64 ± .005		CHECKED <i>PME</i>	
		VERIFIED <i>P.D.B.R.</i>	
		APPROVED <i>P.D.B.R.</i>	
		REVIEWED <i>PME</i>	
		DATE <i>18-Nov-59</i>	
APPLICATION		SCALE <i>2/1</i>	

WHEN REFERRING TO THIS DRAWING STATE DRAWING NO., APPLICABLE ISSUE SYMBOL, IF ANY, AND DATE