

EQUIP. TYPE: R390A/URR FIG. NO.

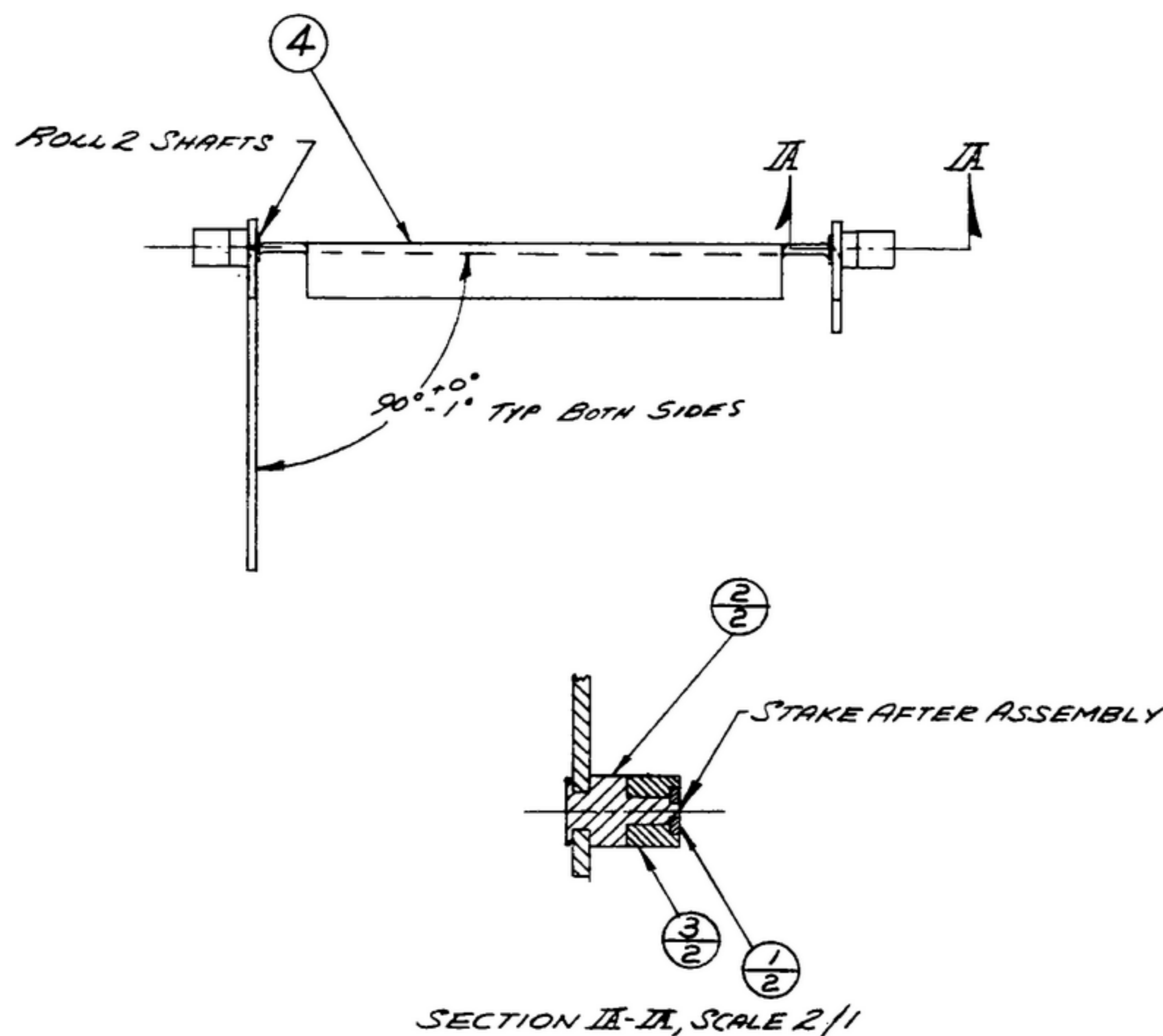
Col. 540-7865-002

NOTICE: WHEN GOVERNMENT DRAWINGS, SPECIFICATIONS, OR OTHER DATA ARE USED FOR ANY PURPOSE OTHER THAN IN CONNECTION WITH A DEFINITELY RELATED GOVERNMENT CONTRACT OR OPERATION, THE UNITED STATES GOVERNMENT THEREBY MAKES NO REPRESENTATION AS TO THE ACCURACY OR COMPLETENESS OF THE INFORMATION, AND THE USER ASSUMES ALL LIABILITY FOR ANY DAMAGE, LOSS, OR INJURY THAT MAY BE SUSTAINED BY ANY PERSON OR ENTITY USING SUCH INFORMATION, SPECIFICATIONS, OR OTHER DATA IN ANY MANNER, INCLUDING THE MANNER OF OPERATION, MAINTENANCE, REPAIR, OR MODIFICATION OF ANY EQUIPMENT, OR THE MANNER OF USE, OR THE MANNER OF STORAGE OF ANY INFORMATION, SPECIFICATIONS, OR OTHER DATA.

THIS DOCUMENT HAS BEEN PURCHASED BY THE GOVERNMENT AND MAY BE REPRODUCED AND USED IN CONNECTION WITH ANY GOVERNMENT PROGRAM OR MAINTENANCE OPERATION.

\* FOR INFORMATION ONLY. CONTRACTOR MAY AT HIS OPTION DEVIATE FROM THESE PROCESS DETAILS.

REVISIONS			
SYM	DESCRIPTION	DATE	APPROVAL



NOTES:

1. ROLLER(3) MUST ROTATE FREELY, AFTER STAKING.
2. ROLLER BORE TO BE LUBRICATED WITH OIL(5), PER SPEC MIL-L-7870, BEFORE ASSY.
- 3 IN ALL SPLIT BALLOONS, TOP FIGURE IS MATERIAL LIST ITEM INDICATOR & BOTTOM FIGURE IS QUANTITY

QTY	PART NO.	DESCRIPTION	MATL	MATL SPEC	NOTES
5	REGO	OIL			2
4	SM-C-249075	RACK-HIGH			
3	SM-B-178739	ROLLER			
2	SM-B-178738	SHAFT			
1	SM-B-170822	WASHER			

QTY	PART NO.	DESCRIPTION	MATL	MATL SPEC	NOTES
-----	----------	-------------	------	-----------	-------

LIST OF MATERIAL 558-0411-003

DRAWN JENNETT		CHECKED Pm	APPROVED	-COLLINS-RADIS-80- -SIGNAL-CORPS-URR- 1A21A-PH 51-93 SIGNAL CORPS		DEPARTMENT OF THE ARMY SIGNAL CORPS ENGINEERING LABORATORIES FORT MONMOUTH NEW JERSEY
UNLESS OTHERWISE SPECIFIED: DECIMAL DIMENSIONS INCLUDING HOLE SIZES MAY VARY ±.008 FRACTIONAL DIMENSIONS INCLUDING HOLE SIZES MAY VARY ±1/64 MACHINED ANGLES MAY VARY ±.1° SHEARED ANGLES MAY VARY ±.25° BROKEN ANGLES MAY VARY ±.1° ECCENTRICITY BETWEEN ANY DIAMETERS ON THE SAME CENTERLINE SHALL NOT EXCEED .010 TOTAL INDICATOR READING. ALL DIMENSIONS ARE FINISH DIMENSIONS INCLUDING APPLIED FINISH AND ARE GIVEN IN INCHES.		REVIEWED PME		RACK ASSY-I.F.		
558-0463004 1 SM-D-24887A SC-DL24877A		APPROVED HLY PME		DATE 29 DEC 55 SCALE 1/1		SM-C-249060
COLLINS NO.	QTY	NEXT ASSY	USED ON	APPLICATION		