

EQUIP. TYPE *R390A/URA* EXP. NO.

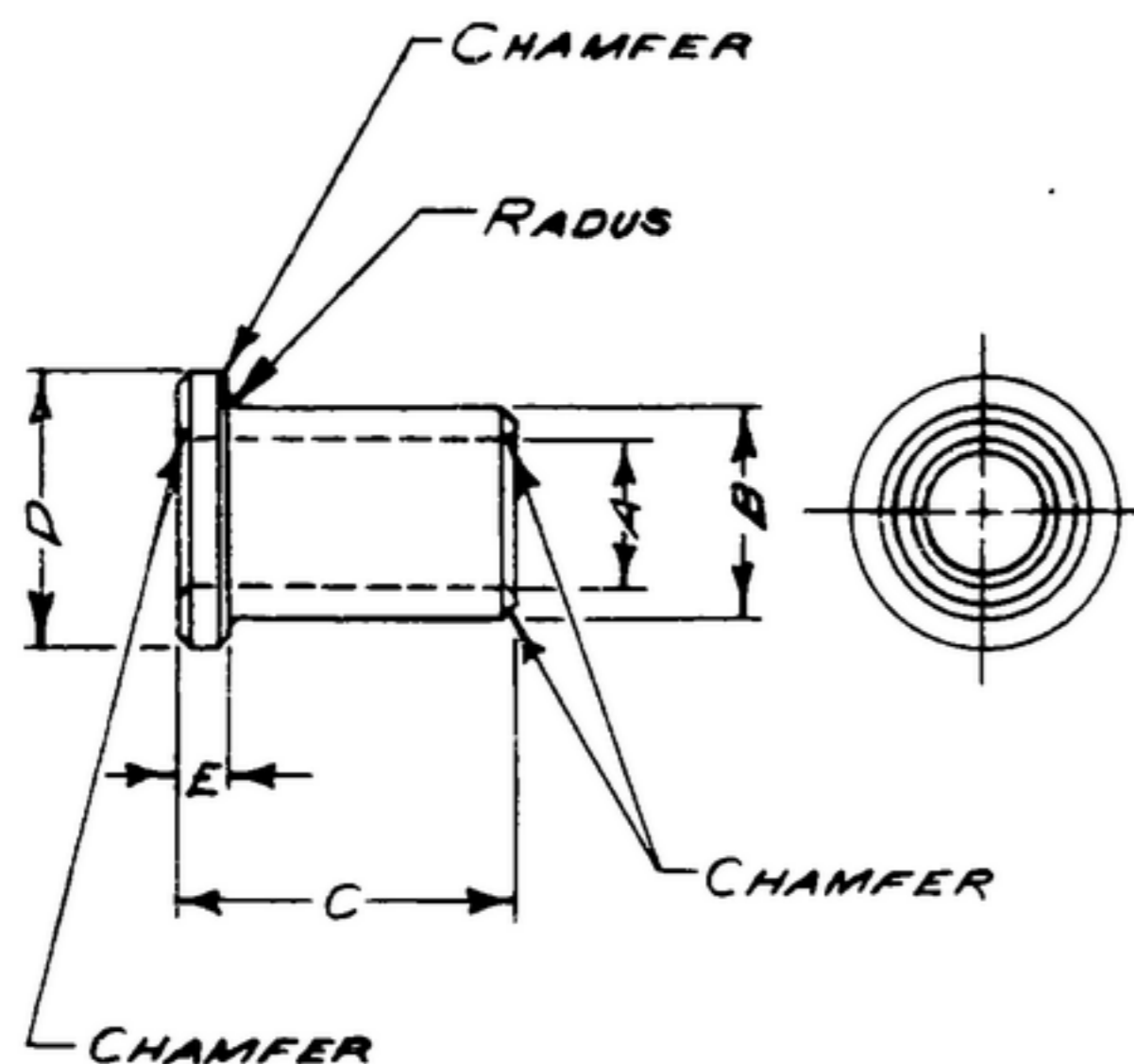
*Col 809-0079, 9088, 0130-00*

NOTED: WHEN GOVERNMENT DRAWINGS, SPECIFICATIONS, OR OTHER DATA ARE USED FOR THE DESIGN OF THIS DRAWING, THE USER IS RESPONSIBLE FOR THE PROPER INTERPRETATION OF THE DATA AND FOR THE PROPER APPLICATION OF THE DATA TO THE DESIGN OF THE PART. THE GOVERNMENT MAKES NO WARRANTY, REPRESENTATION, OR OTHER DATA TO BE USED BY THE USER IN CONNECTION WITH ANY EQUIPMENT OR SYSTEM OPERATED BY THE USER.

THIS DRAWING HAS BEEN PREPARED BY THE GOVERNMENT AND MAY BE REPRODUCED AND USED IN CONNECTION WITH ANY EQUIPMENT OR SYSTEM OPERATED BY THE USER.

\* FOR INFORMATION ONLY. CONTRACTOR MAY AT HIS OPTION DEVIATE FROM THESE PROCESS DETAILS.

REVISIONS			
SYM	DESCRIPTION	DATE	APPROVAL



COLLINS NO.	DASH NUMBER	A	B	C	D	E	MFG No.
559-0238-003	SM-283156 -1	.1885	.3595	1/16	15/32	1/32	F-347
559-0239-003	-2	.250	.381	3/16	1/2	1/16	F-310
559-0240-003	-3	.3125	.440	1/16	9/16	3/64	F-432

TOLERANCES		RADIUS FILLET		CHAMFER	
I.D.	+ .000 - .001	To 1/2" BODY	1/32	THIN WALLS INCL. 3/32	ROUNDED END
O.D.	+ .000 - .001	1/2" TO 1" BODY	3/64	WALLS GREATER THAN 3/32	1/16" x 45°
LENGTH	± .005	CONCENTRICITY	.003 T.I.R.		
* FLANGE O.D.	± .0025				
FLANGE THICKNESS	± .0025				

\* WHERE FLANGE THICKNESS IS LESS THAN 1/16, FLANGE O.D. IS ± .010.

NOTES:

1. PART MAY BE SUPPLIED BY CHRYSLER CORP, AMPLIX DIVISION, DETROIT, MICHIGAN, OR EQUAL, PROVIDING IT MEETS THE FOLLOWING REQUIREMENTS & DIMENSIONS SHOWN.

MATERIAL: FLANGED POROUS BRONZE BEARING IN ACCORDANCE WITH SPEC MIL-B-5687, TYPE I, COMPOSITION A.  
LUBRICATION: OIL PER SPEC MIL-L-7870.

COLLINS PART NO.	ITEM	REQD	PART NO.	DESCRIPTION	MATL	MATL SPEC
LIST OF MATERIAL						
				COLLINS PART NO. <i>559-0239-003</i> <i>0240</i>		
SM-C-14275				BEARING	DEPARTMENT OF THE ARMY SIGNAL CORPS ENGINEERING LABORATORIES FORT MONMOUTH NEW JERSEY  SM-C-283156	
SM-B-143526						
SM-C-143323						
SM-C-143319	SC-DL-143220					
559-0331-004	SM-D-248982					
559-0315-003	SM-D-248966	SC-DL-24878				
COLLINS NO.	QTY	NEXT ASSY	USED ON			
APPLICATION						

UNLESS OTHERWISE SPECIFIED:  
DECIMAL DIMENSIONS INCLUDING HOLE SIZES MAY VARY ±.005  
FRACTIONAL DIMENSIONS INCLUDING HOLE SIZES MAY VARY ±1/64  
HATCHED ANGLES MAY VARY ±1°  
BREAKED ANGLES MAY VARY ±.25°  
BROKEN ANGLES MAY VARY ±1°  
ECCENTRICITY BETWEEN ANY DIAMETERS ON THE SAME CENTERLINE SHALL NOT EXCEED .010 TOTAL INDICATOR READING.  
ALL DIMENSIONS ARE FINISH DIMENSIONS INCLUDING APPLIED FINISH AND ARE GIVEN IN INCHES.

DRAWN: ECS  
CHECKED: [Signature]  
APPROVED: [Signature]  
-COLLINS-RADIS-00-  
-SIGNAL-CORPS-100-  
14214-PH-  
51-93  
SIGNAL CORPS  
REVIEWED: PME  
APPROVED: HLY  
PME  
DATE: 20 JAN 56