

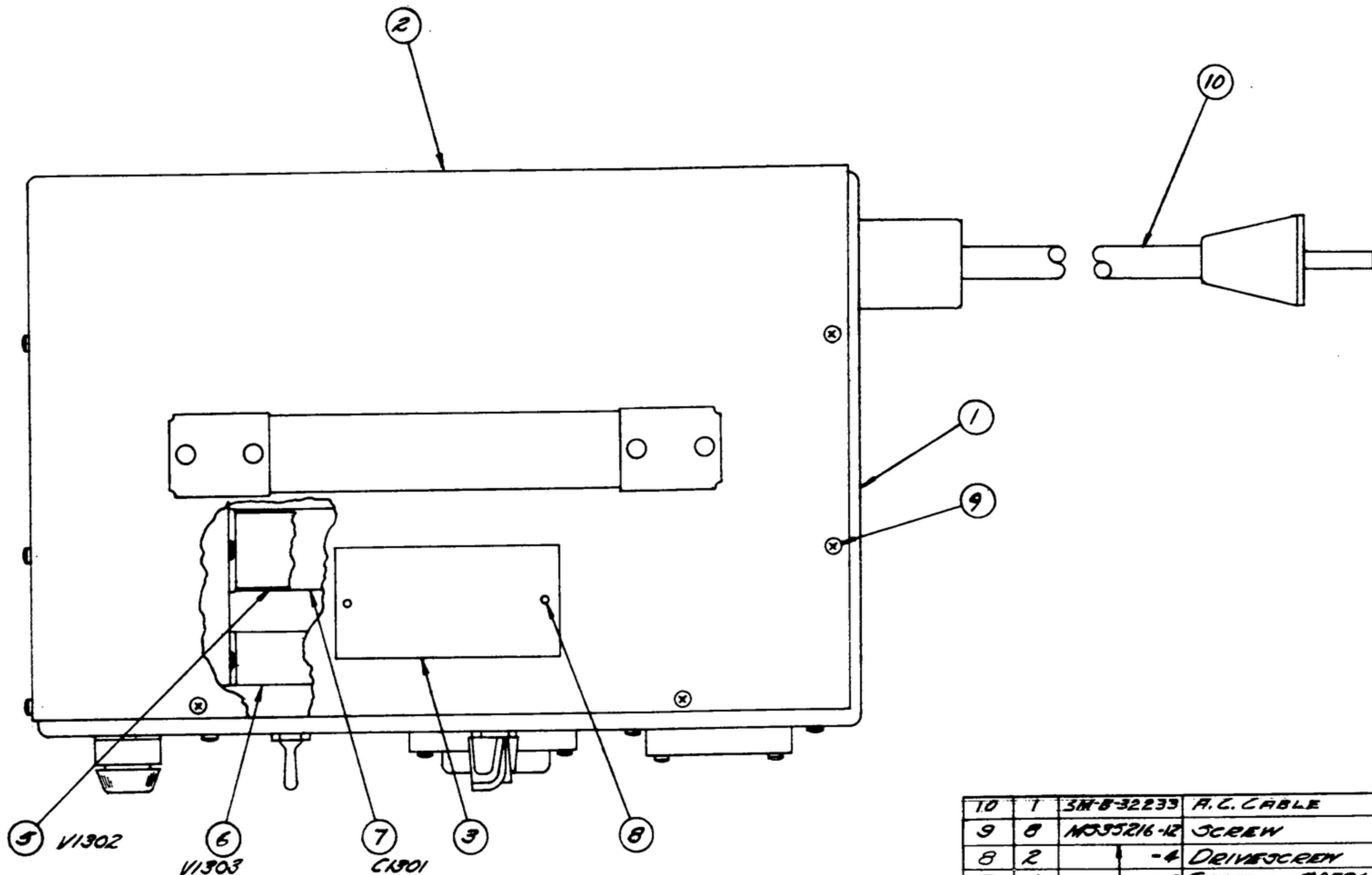
9253 C

NOTES: THESE DIMENSIONS, SPECIFICATIONS, OR OTHER DATA ARE USED FOR ANY PURPOSE OTHER THAN IN CONNECTION WITH A SPECIFICALLY RELATED ORDER. ANY DIMENSIONS, SPECIFICATIONS, OR OTHER DATA SHOWN ON THIS DRAWING ARE SUBJECT TO CHANGE WITHOUT NOTICE AND THE USER SHALL BE RESPONSIBLE FOR VERIFYING THE DATA ON ANY OTHER DRAWING OR SPECIFICATION. NO OTHER DATA IS TO BE CONSIDERED BY THE USER AS A SUBSTITUTE FOR THE DATA ON THIS DRAWING OR SPECIFICATION. NO OTHER DATA IS TO BE CONSIDERED BY THE USER AS A SUBSTITUTE FOR THE DATA ON THIS DRAWING OR SPECIFICATION. NO OTHER DATA IS TO BE CONSIDERED BY THE USER AS A SUBSTITUTE FOR THE DATA ON THIS DRAWING OR SPECIFICATION.

THIS DRAWING HAS BEEN PREPARED BY THE CONTRACTOR AND MAY BE REPRODUCED AND USED IN CONNECTION WITH ANY AGREEMENT ENTERED INTO BY THE CONTRACTOR.

* FOR INFORMATION ONLY. CONTRACTOR MAY AT HIS OPTION DEVIATE FROM THESE PROCESS DETAILS.

ORIG. ISSUE A	REVISIONS 5 SEPT 56		
SYM	DESCRIPTION	DATE	APPROVAL



- NOTES:
 1. SUPPLIED BY RADIO CORP OF AMERICA (RCA) NEW YORK, N.Y. OR EQUAL.
 2. SUPPLIED BY AEROVOK CORP. OLEAN, NEW YORK, OR EQUAL.
 3. SUPPLIED BY PARKER KALON CORP. CLIFTON, ILL. OR EQUAL.
 4. ALL THREADS PER HANDBOOK H-28.

DET. NO	REQD	PART NO.	DESCRIPTION	MATL	FINISHED SIZE	SH'T	NOTE
10	1	SM-B-32233	A.C. CABLE				
9	8	M33216-12	SCREW				
8	2	-4	DRIVER SCREW	STEEL	3/16 X .05814	3	
7	1	-3	CAPACITOR #AEP10J			2	
6	1	-2	#042			1	
5	1	SM-C-33281	TUBE # 6X56T16			1	
4	1	SM-C-32232	SCHEMATIC DIAGRAM				
3	1	SM-B-31968	NAMEPLATE				
2	1	SM-C-31965	COVER ASSY				
1	1	SM-D-31959	MECHANICAL ASSY				

UNLESS OTHERWISE SPECIFIED	
DIMENSIONS ARE IN INCHES	
TOLERANCES ON	
FRACTIONS	DECIMALS ANGLES
SC-GL-5775B	
SC-GL-57665	
NEXT ARMY	USED ON
APPLICATION	

COLLINS RADIO CO CEDAR RAPIDS, IA 08719-PH-55-93 SIGNAL CORPS REVIEWED XXX APPROVED [Signature] DATE 5 SEPT 56	R-390A/URR & R-392/URR POWER SUPPLY FOR INTERCHANGEABILITY GAGE SCALE 1/1	DEPARTMENT OF THE ARMY SIGNAL CORPS ENGINEERING LABORATORIES FORT MONMOUTH NEW JERSEY SM-C-33208
----------------------------------------------------------------------------------------------------------------------------------	----------------------------------------------------------------------------------------------------------------	---------------------------------------------------------------------------------------------------------------------

WHEN REFERRING TO THIS DRAWING STATE DRAWING NO., APPLICABLE ISSUE SYMBOL, IF ANY, AND DATE.