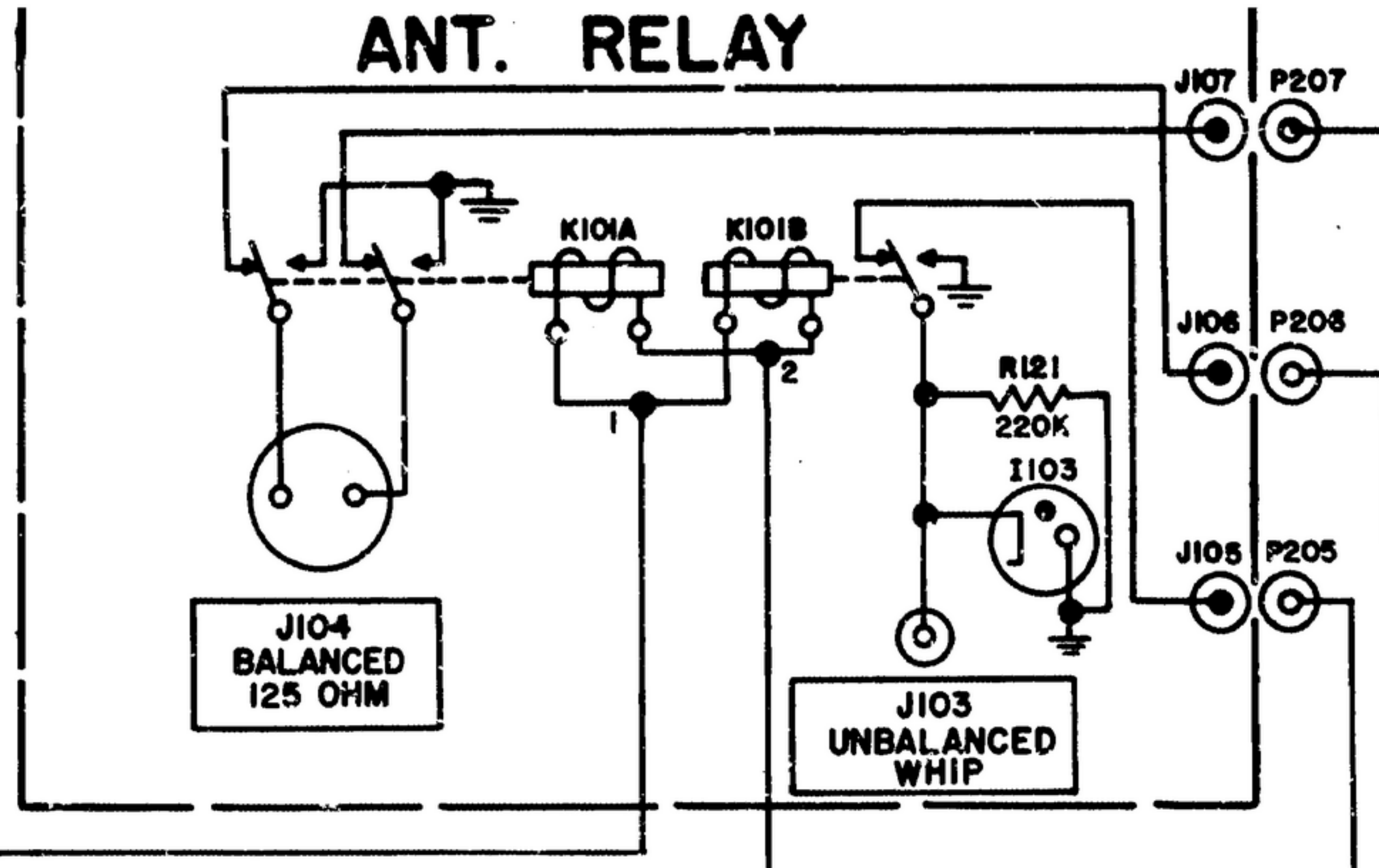
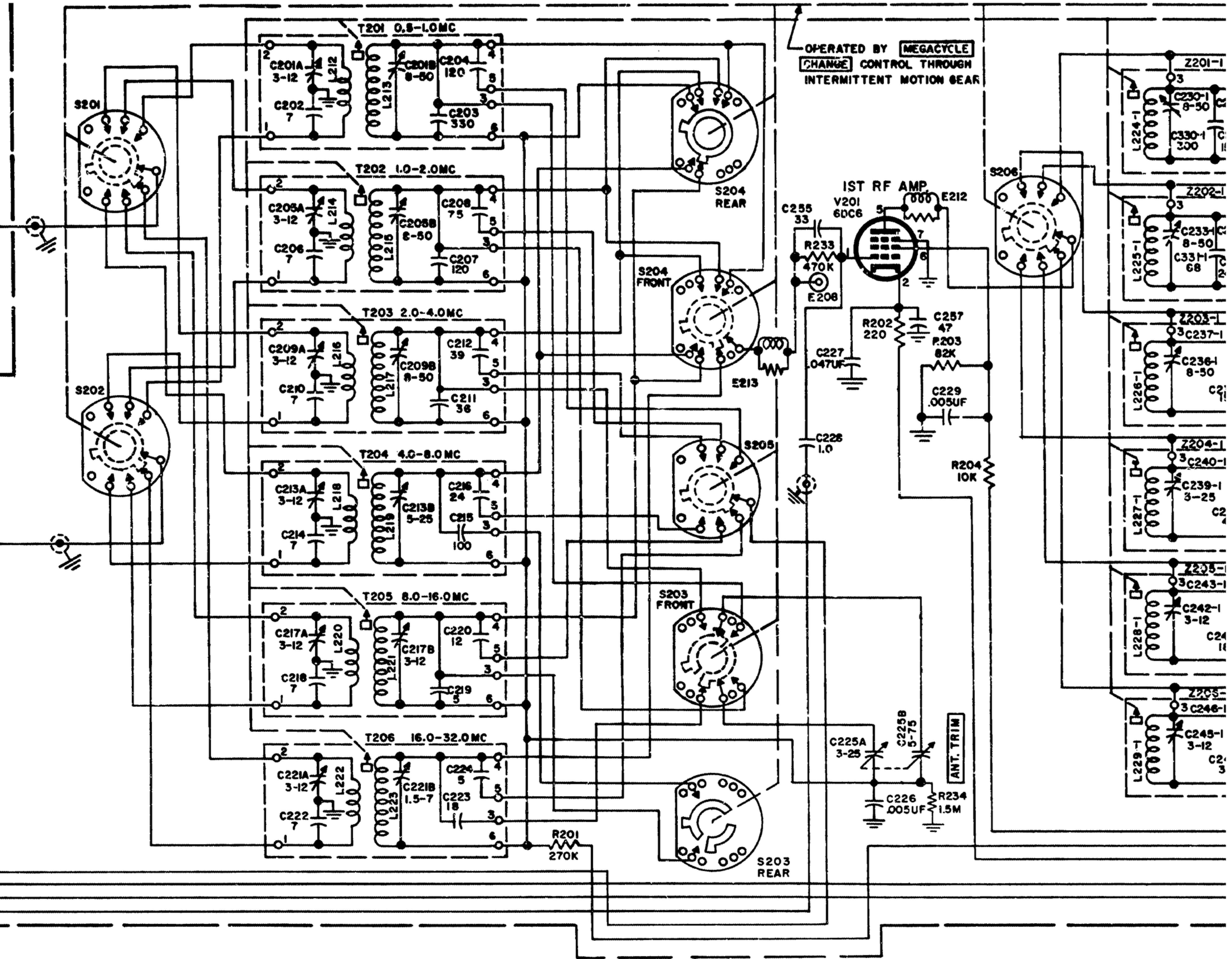
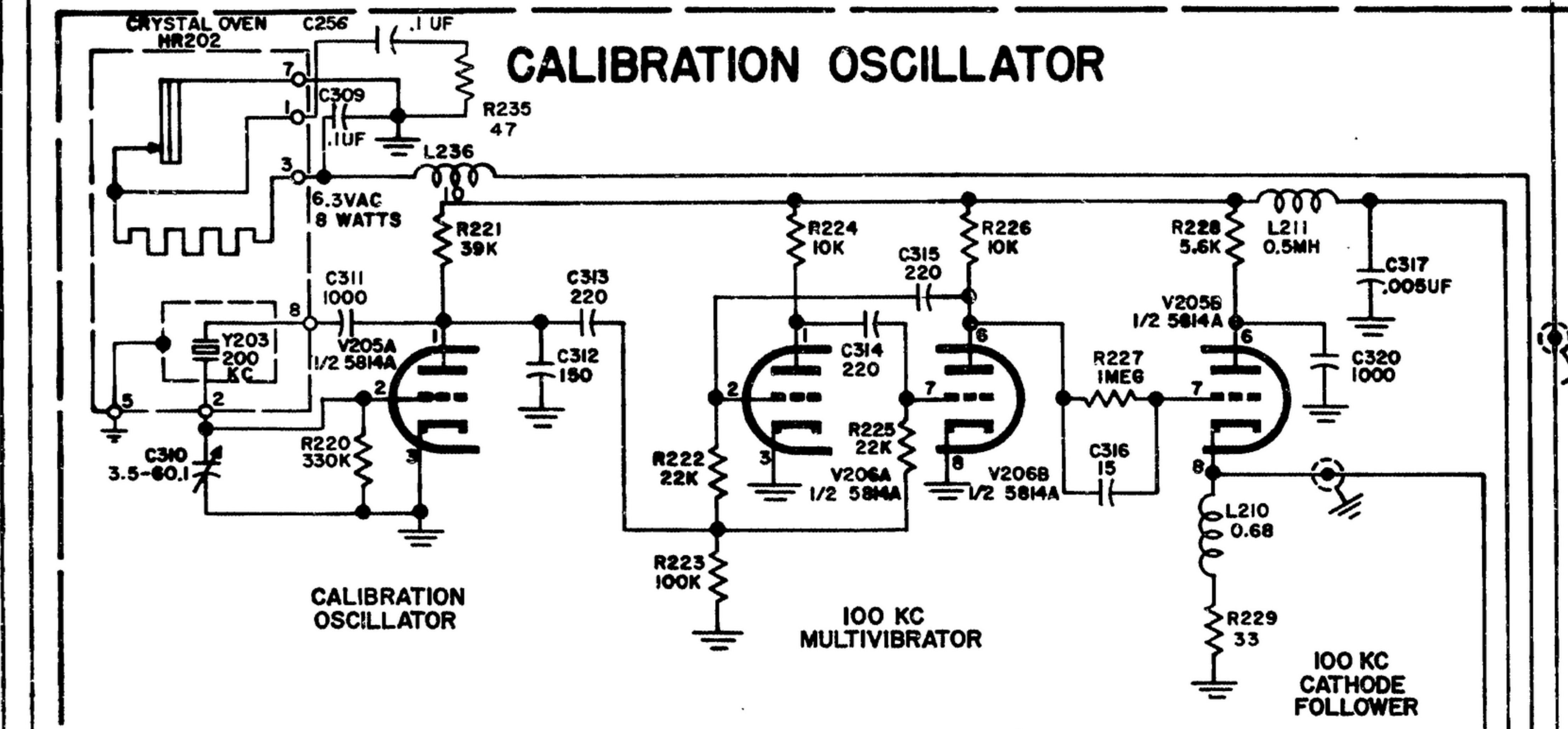


OPTION DEVIATE FROM THESE PROCESS DETAILS.

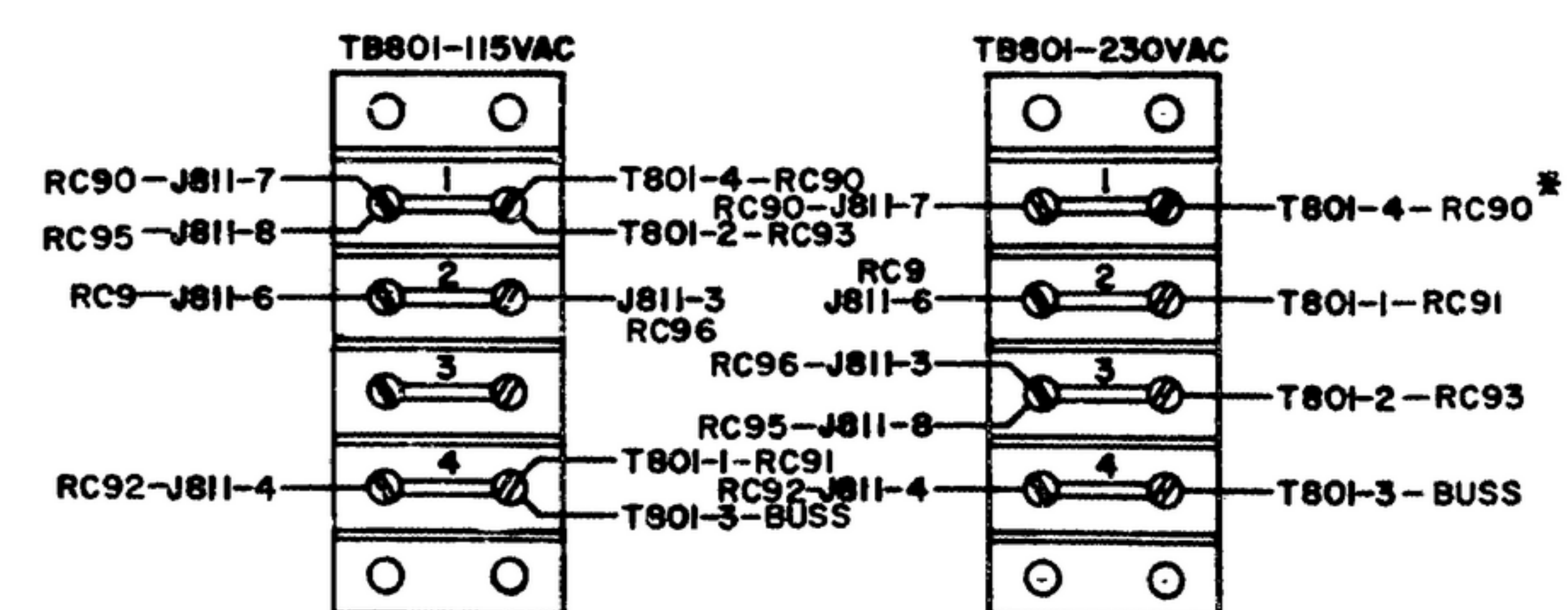
ANT. RELAY



CALIBRATION OSCILLATOR

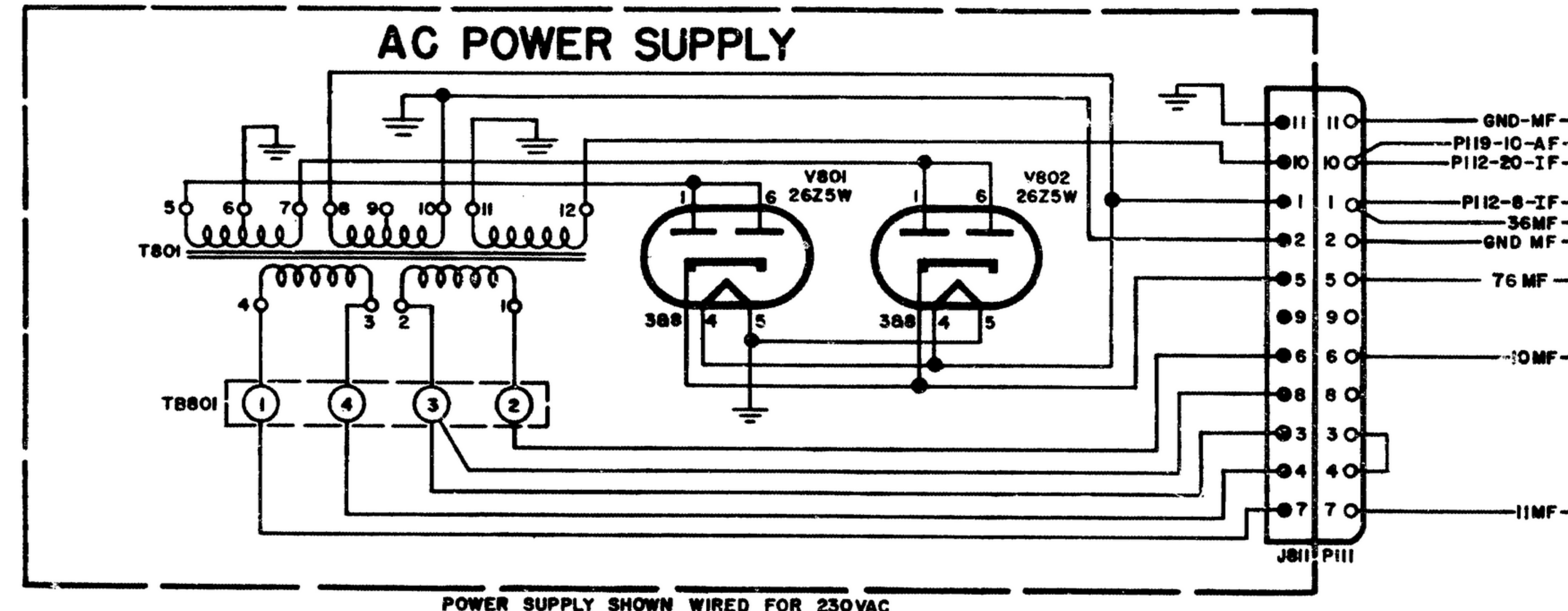


1-43MF-CR102
2-43MF-CR102

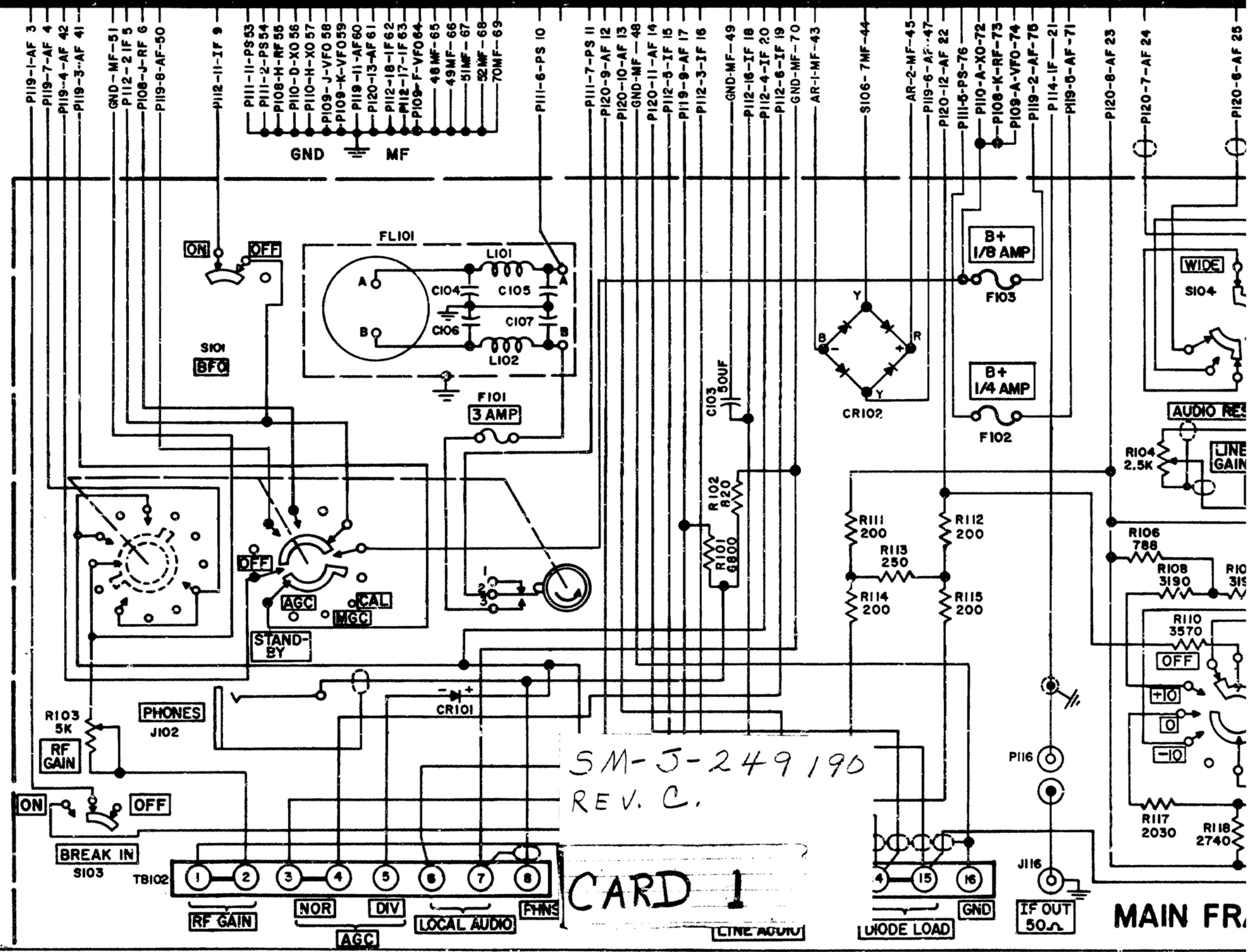


*** ELECTRICAL WIRE CODE**
EX: RC90
TYPE OF WIRE: JAN (1000VOLT)
SIZE OF WIRE: #18
COLOR OF BODY: WHITE
COLOR OF TRACERS: BLACK

AC POWER SUPPLY



POWER SUPPLY SHOWN WIRED FOR 230VAC

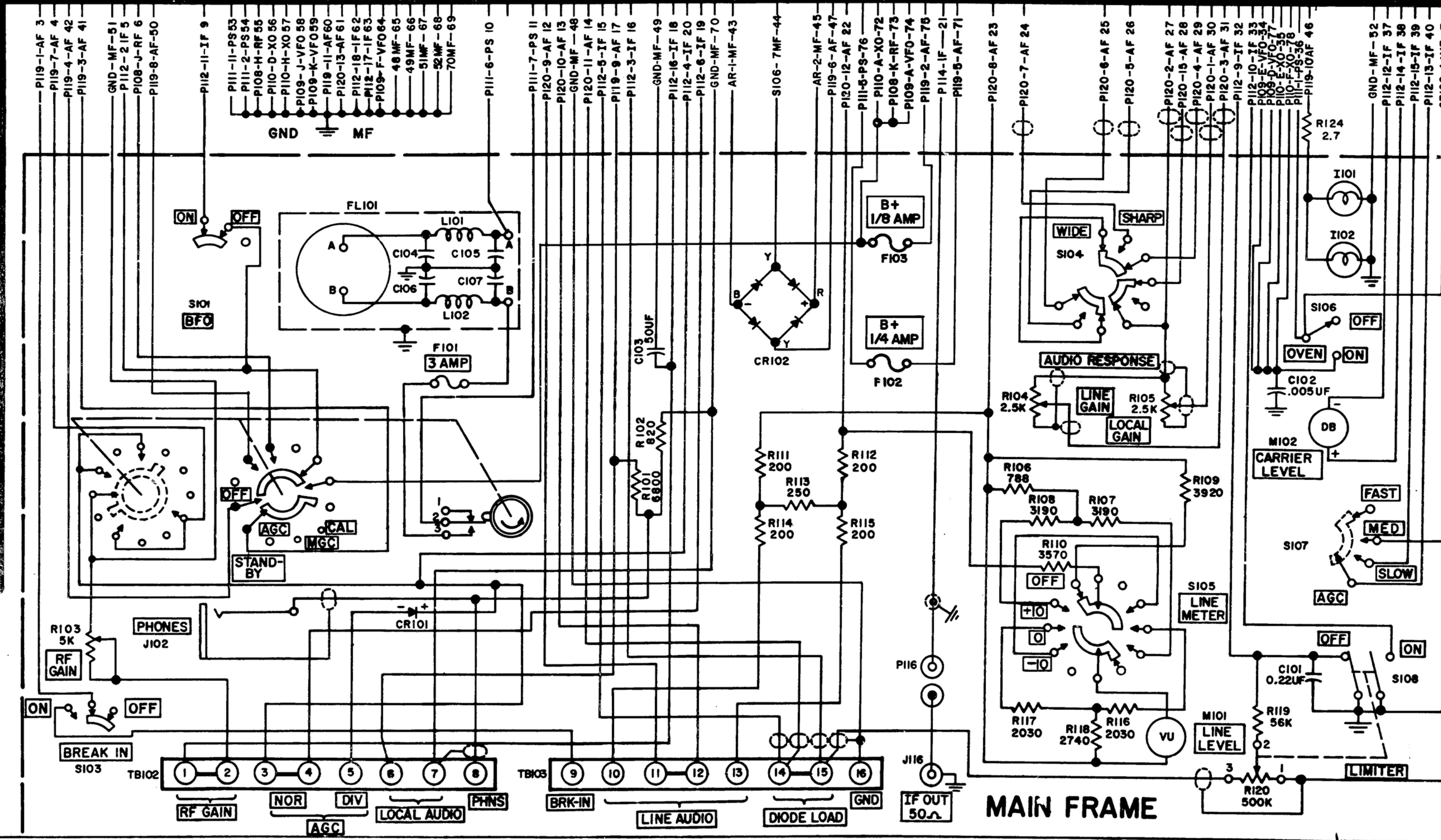
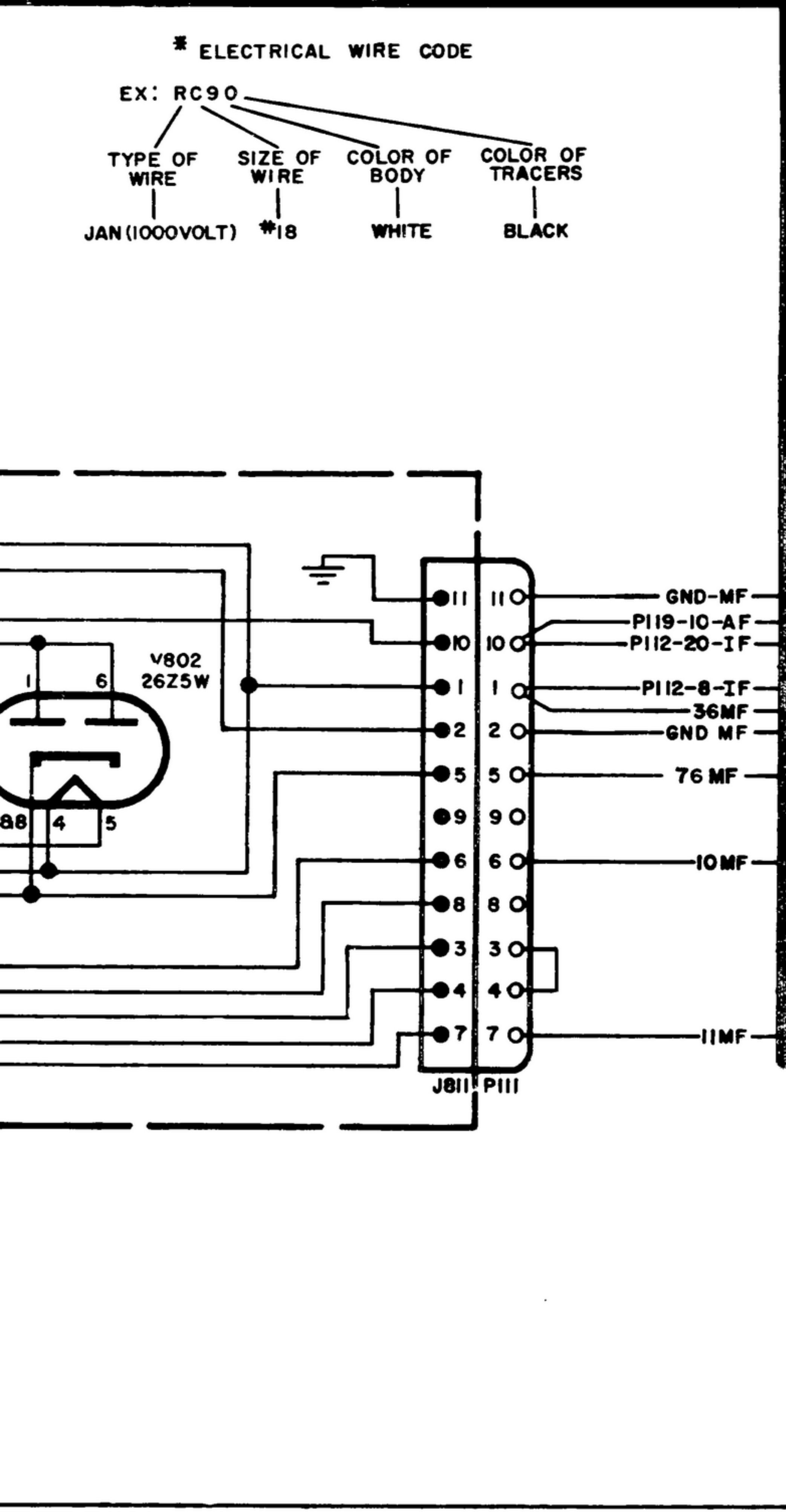
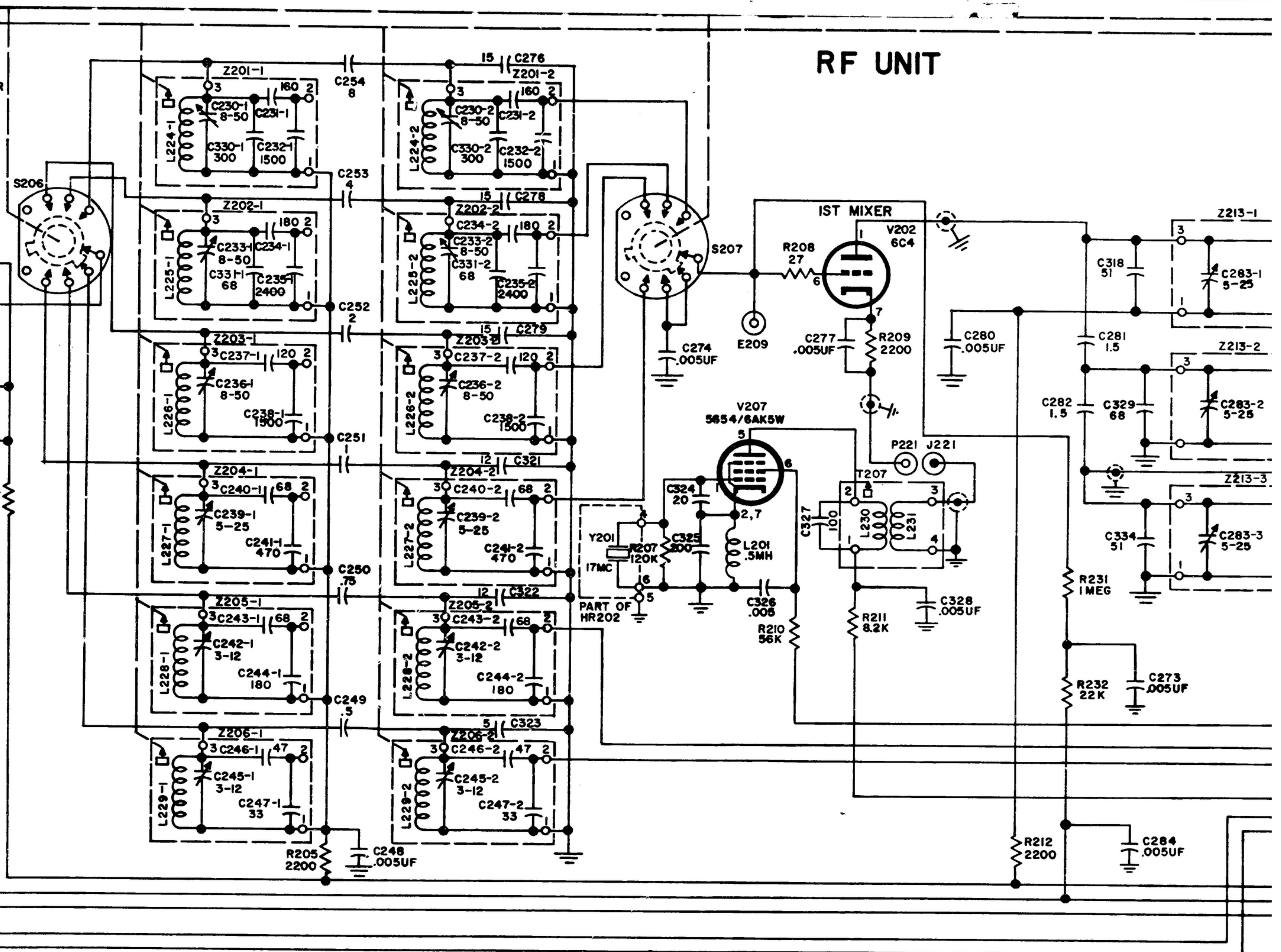
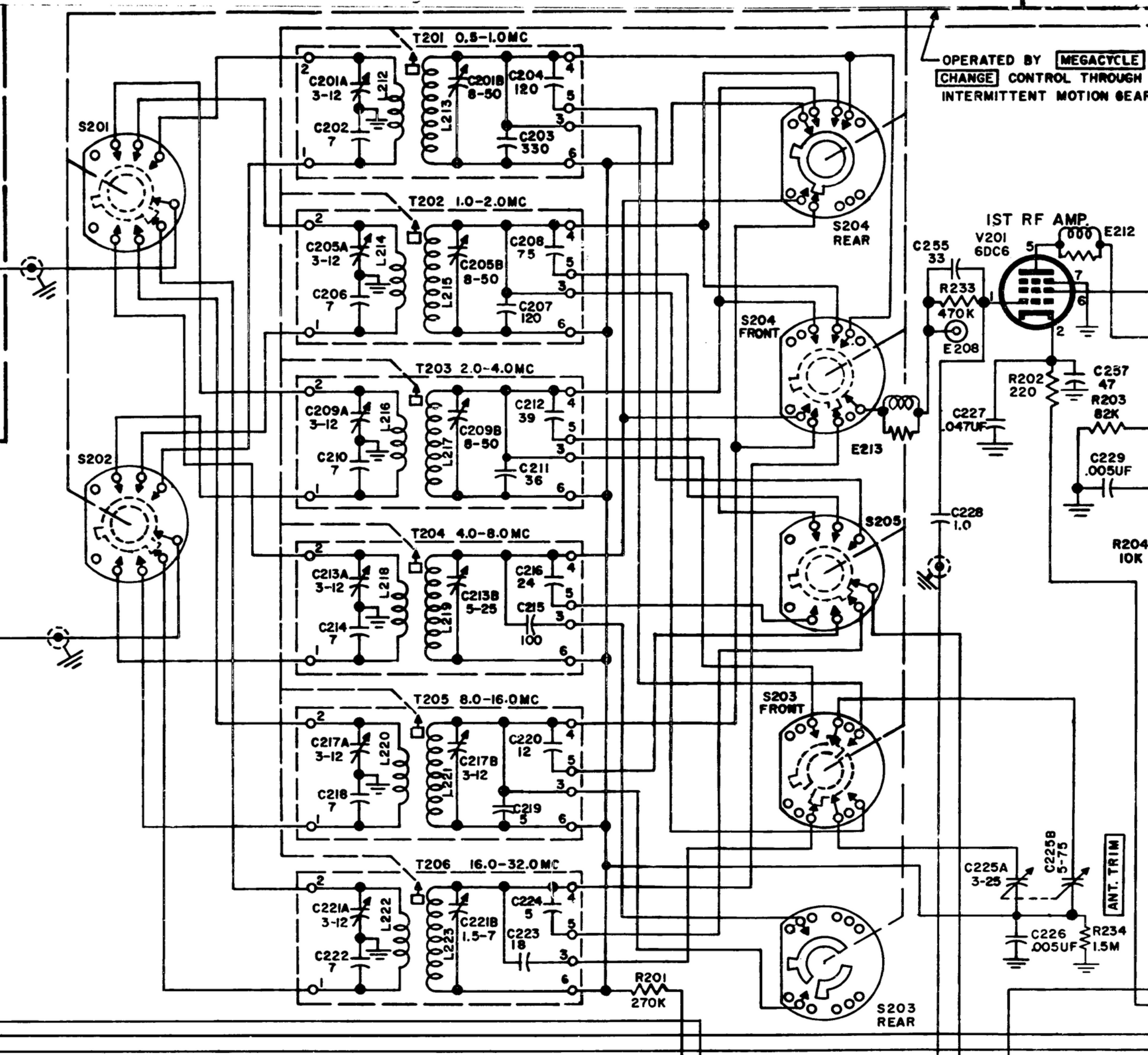
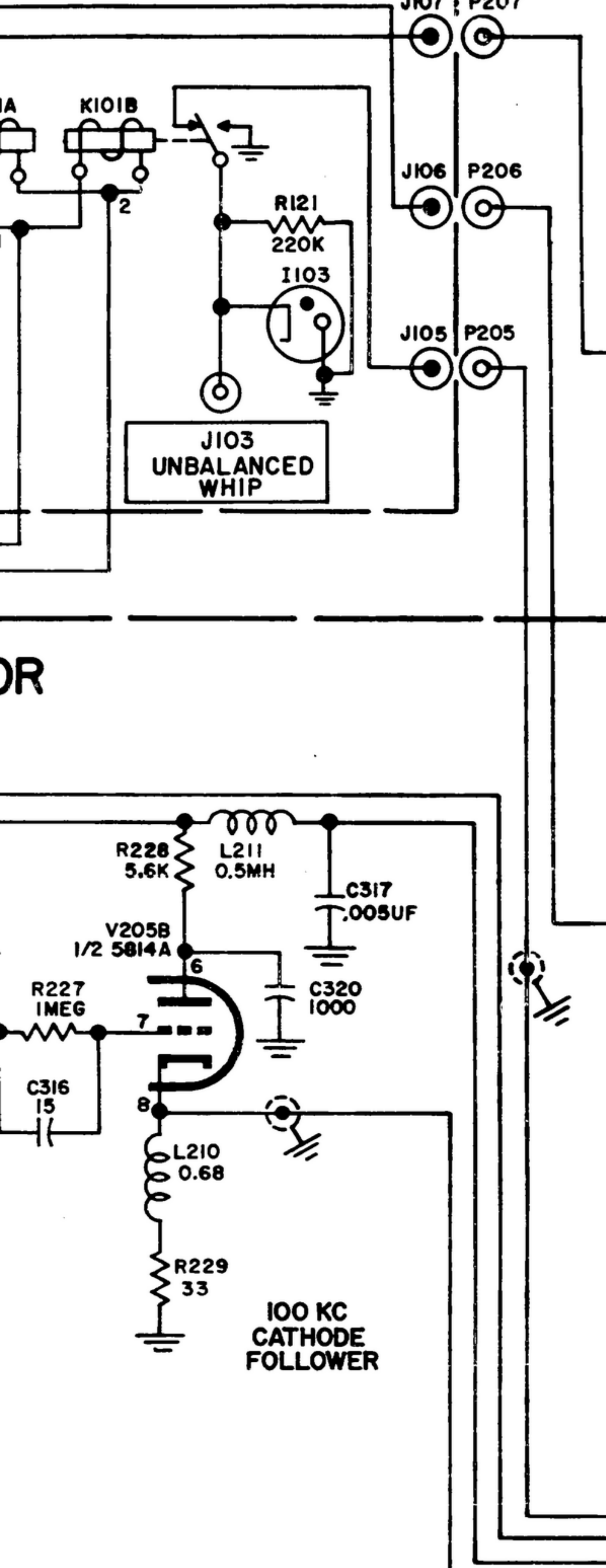


SM-J-249190
REV. C.

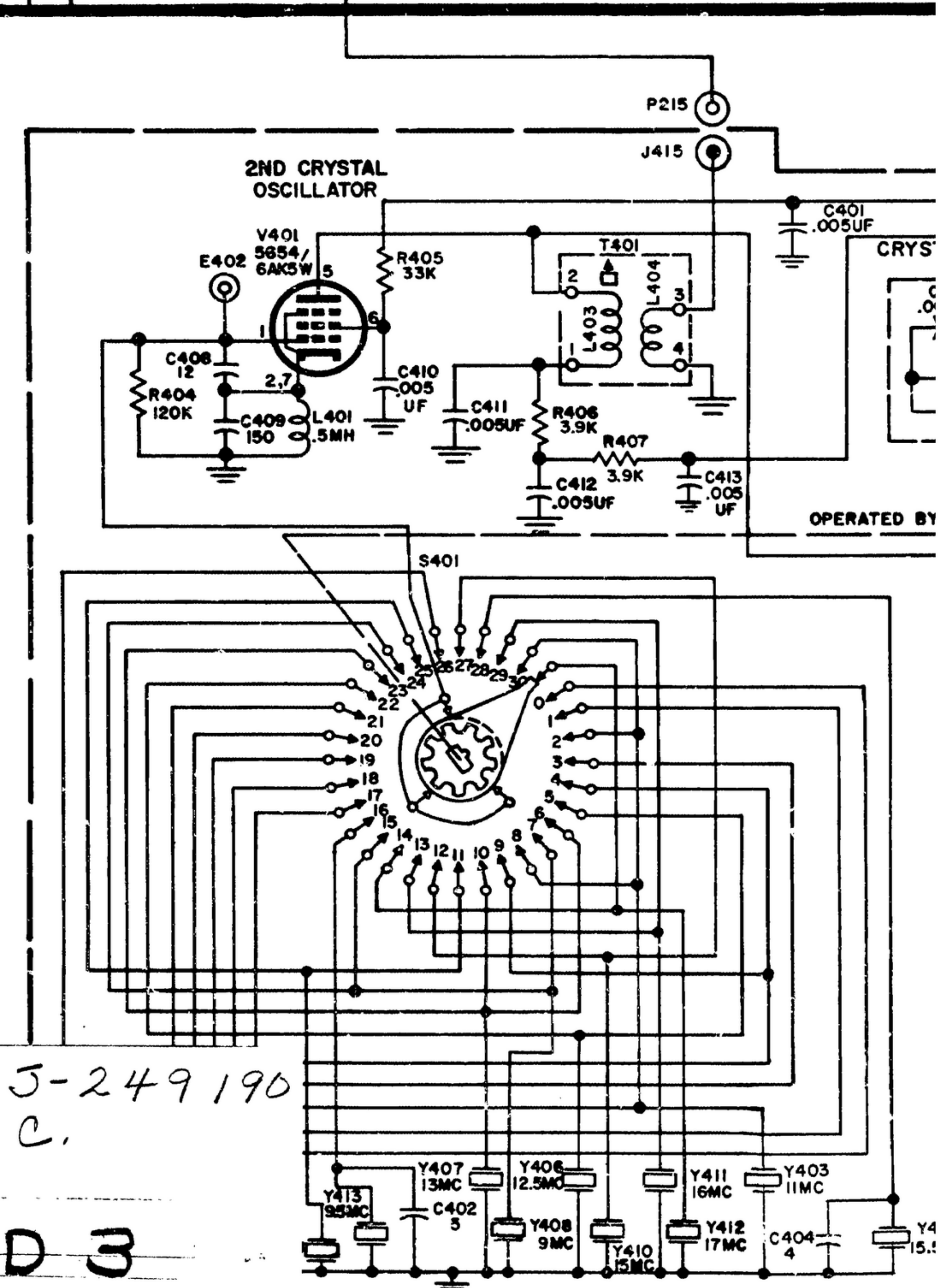
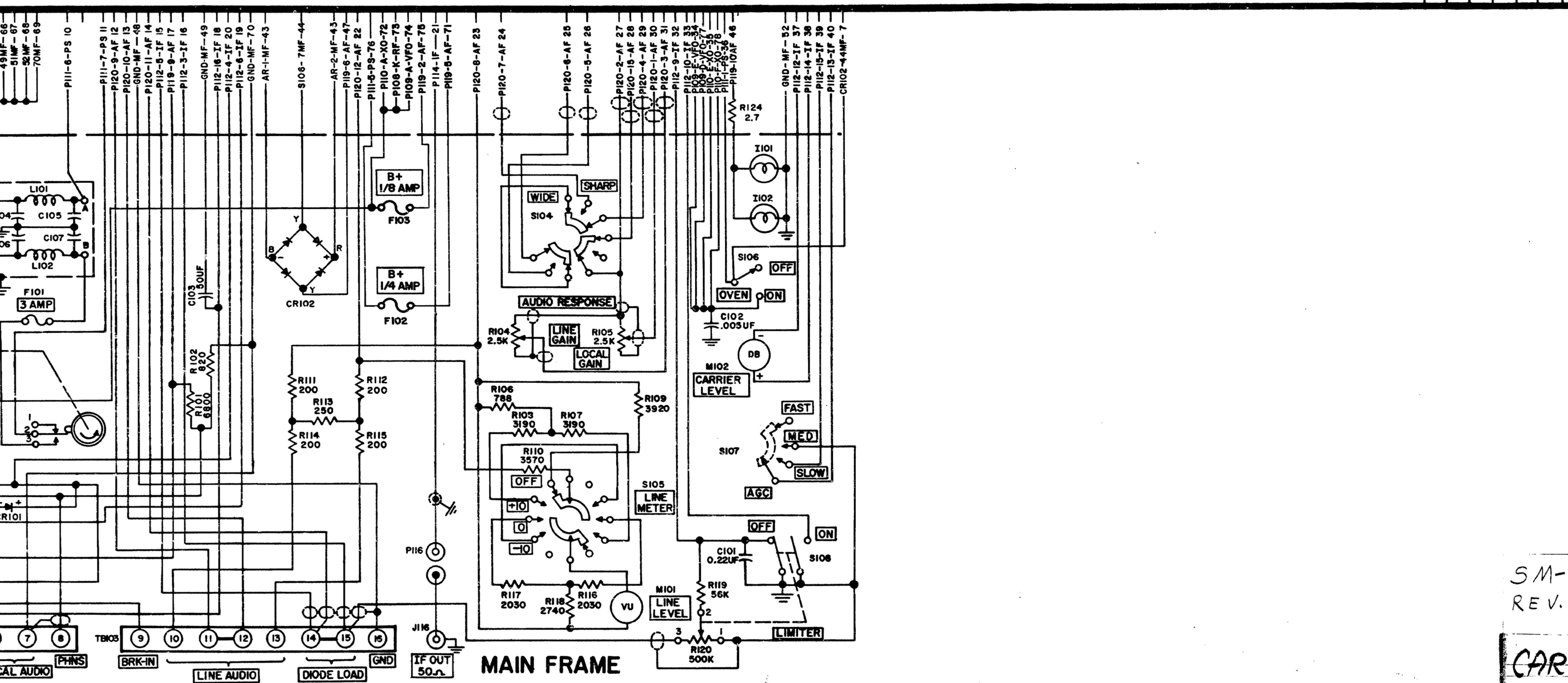
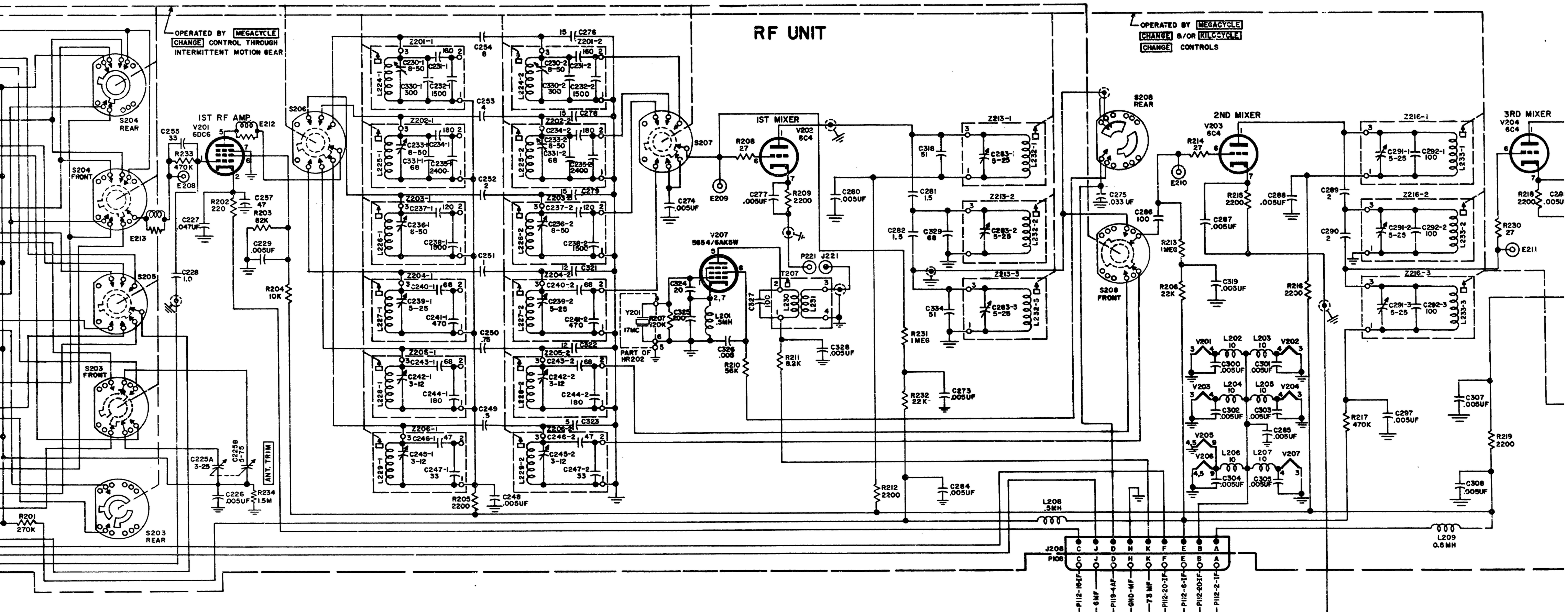
CARD 1

MAIN FR.

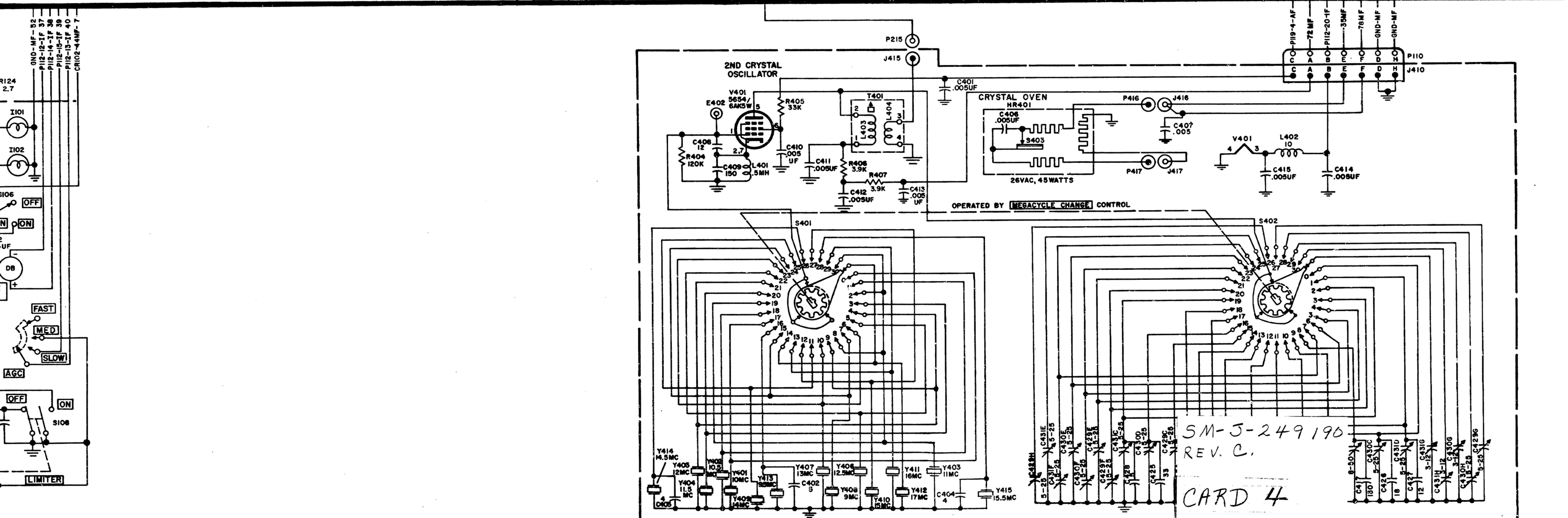
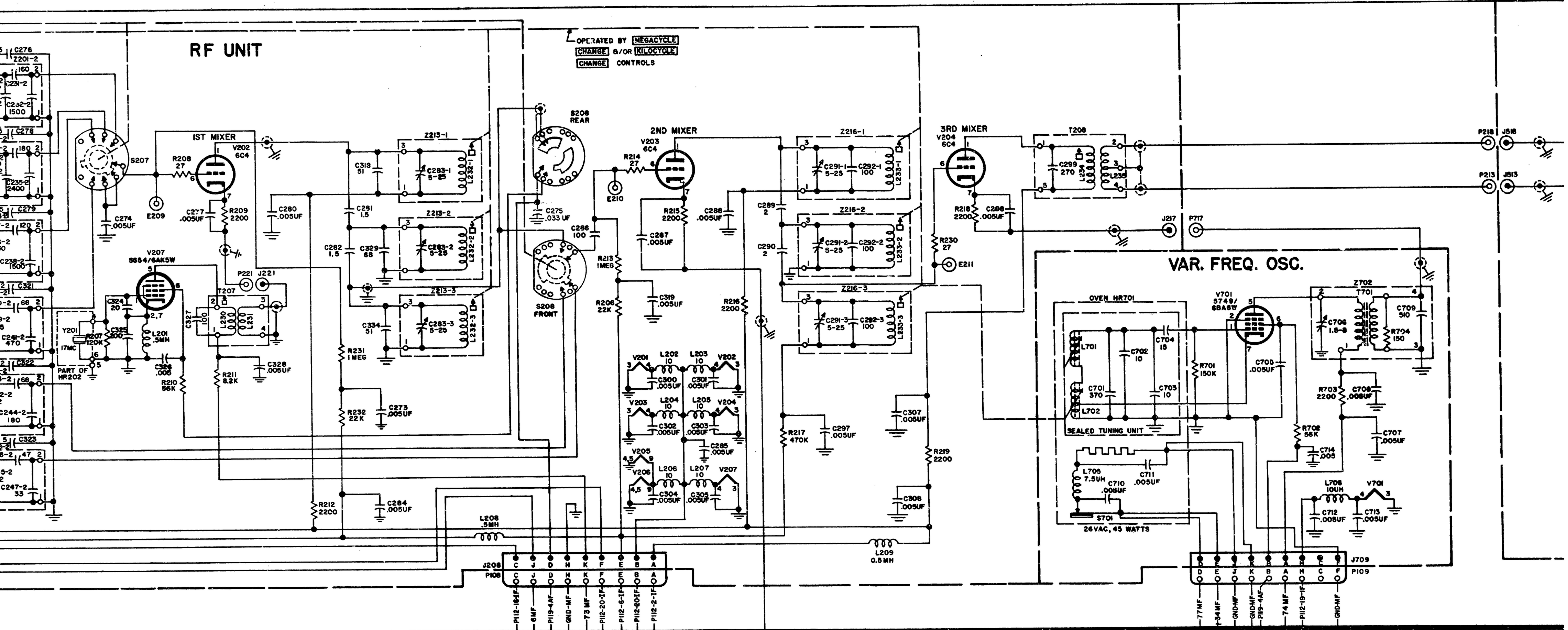
RELAY



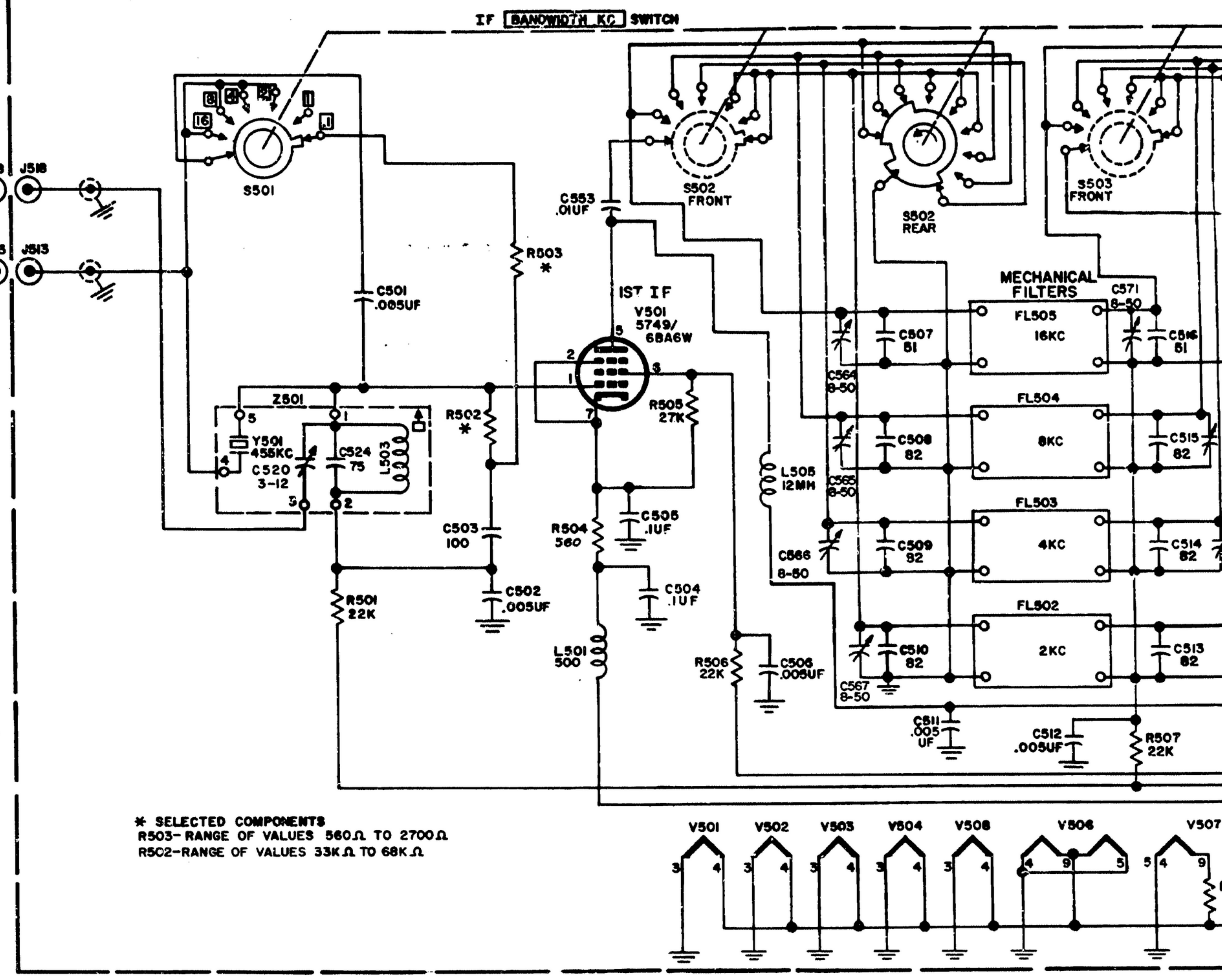
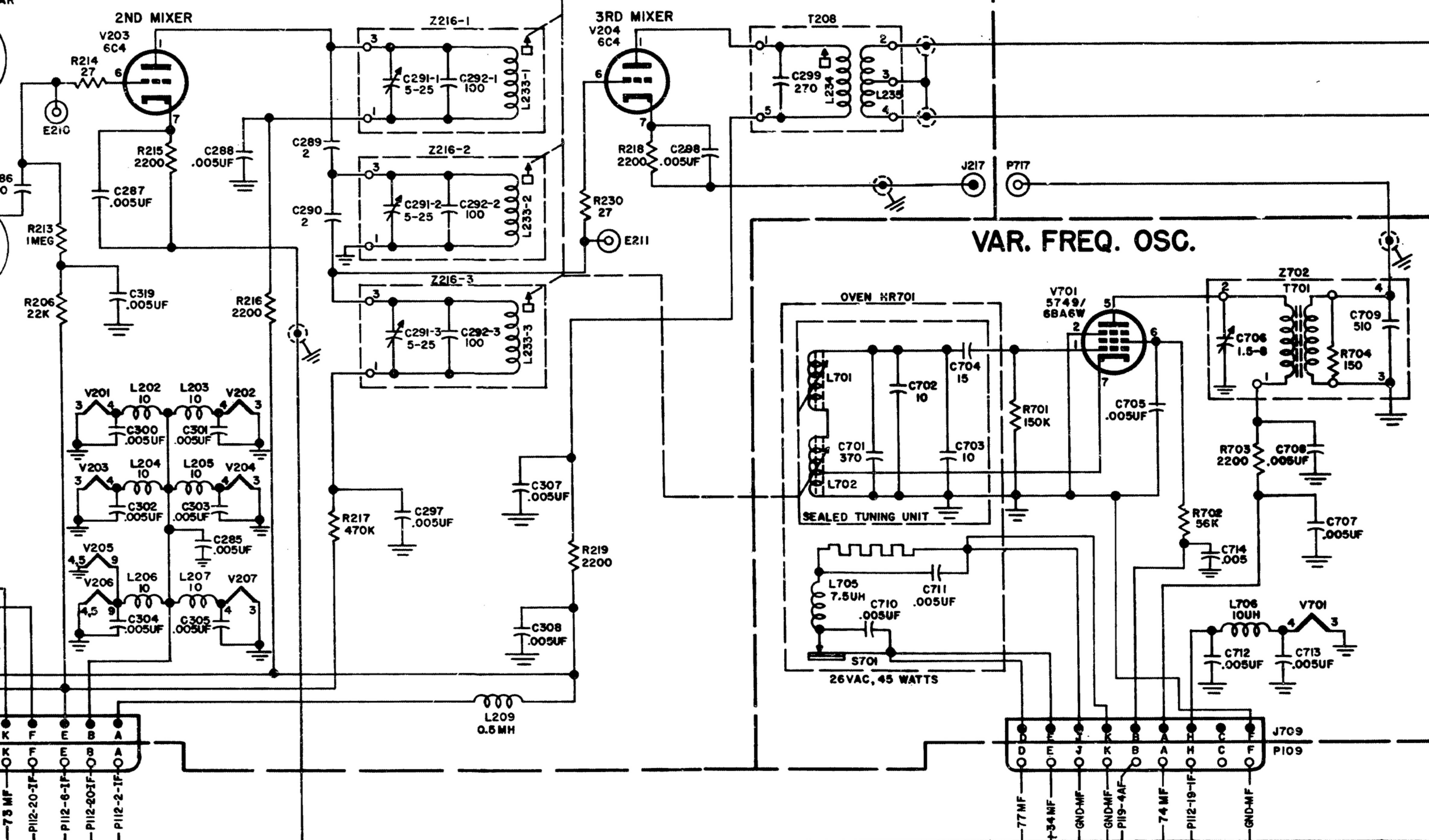
SM-5-249190
REV. C.
CARD 2



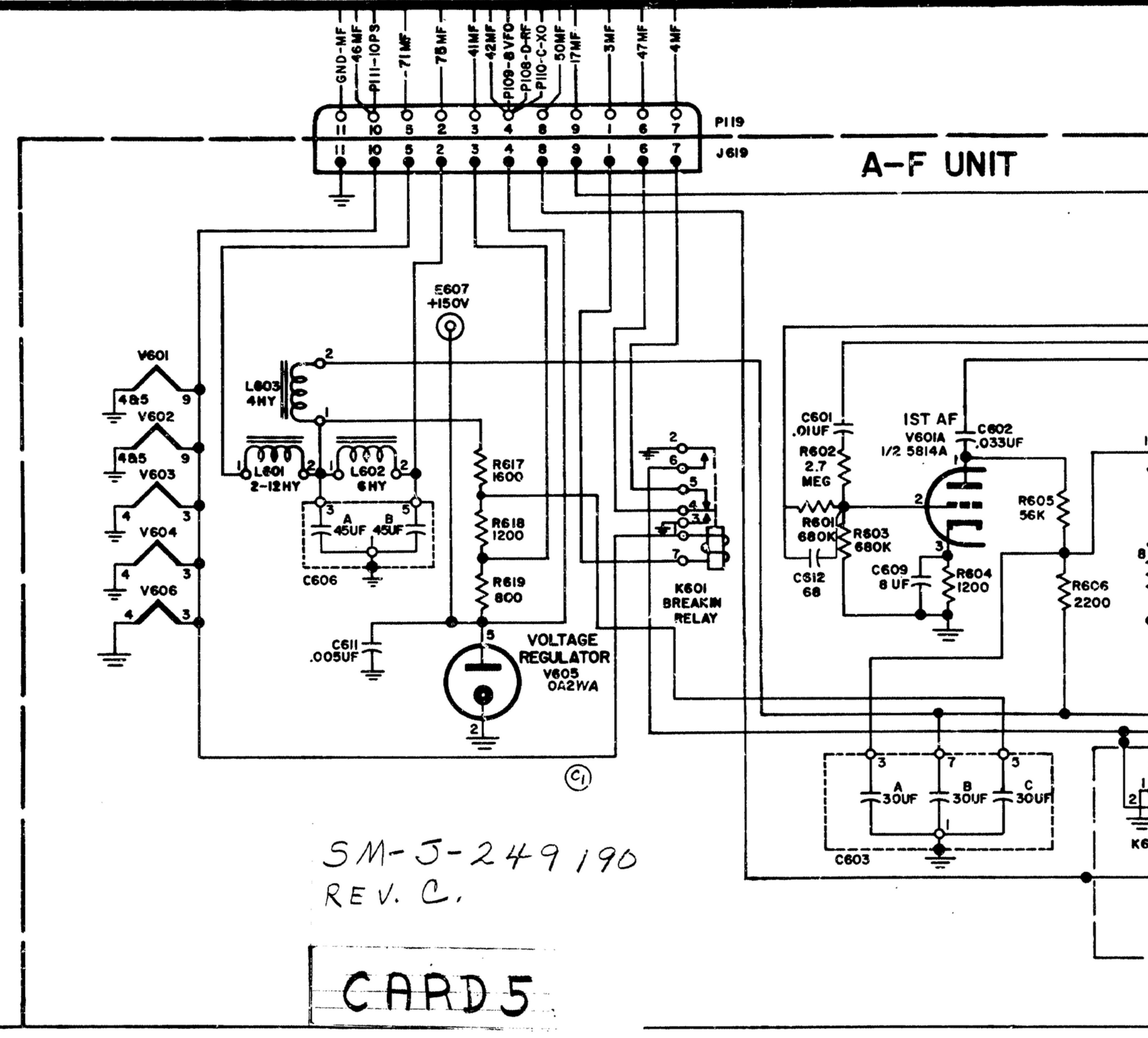
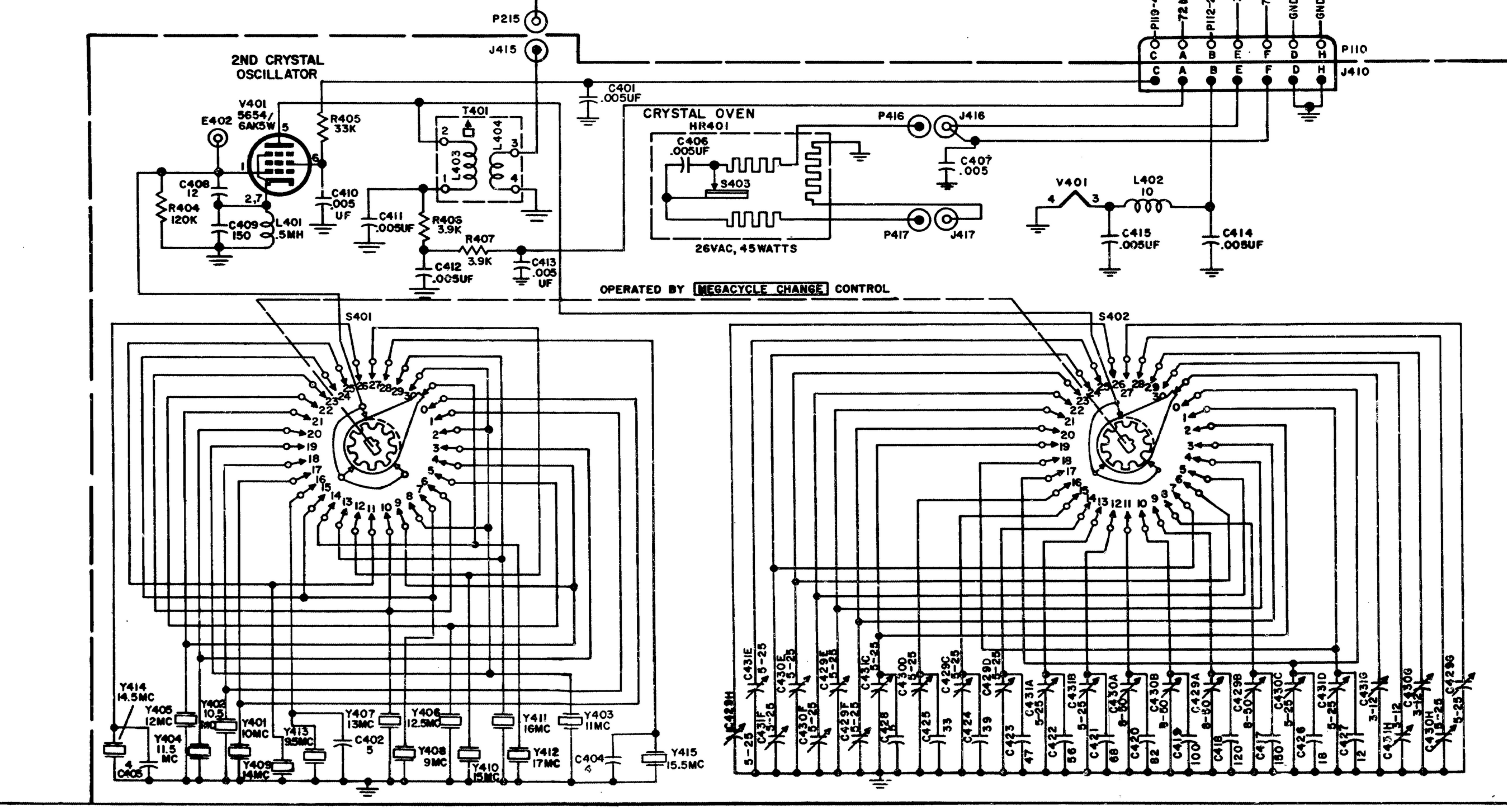
SM-3-249190
REV. C.
CARD 3



OPERATED BY [MEGACYCLE CHANGE] &/OR [KILOCYCLE CHANGE] CONTROLS



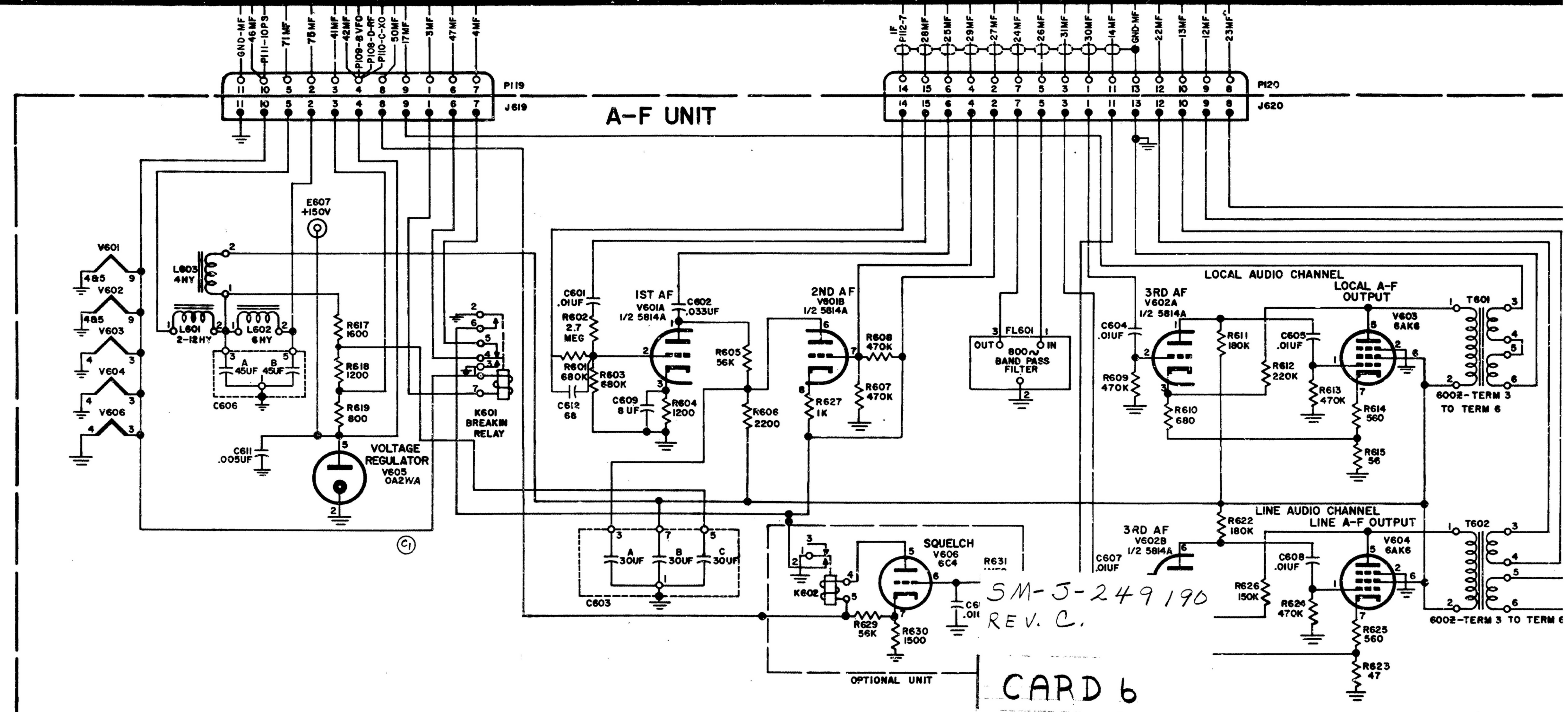
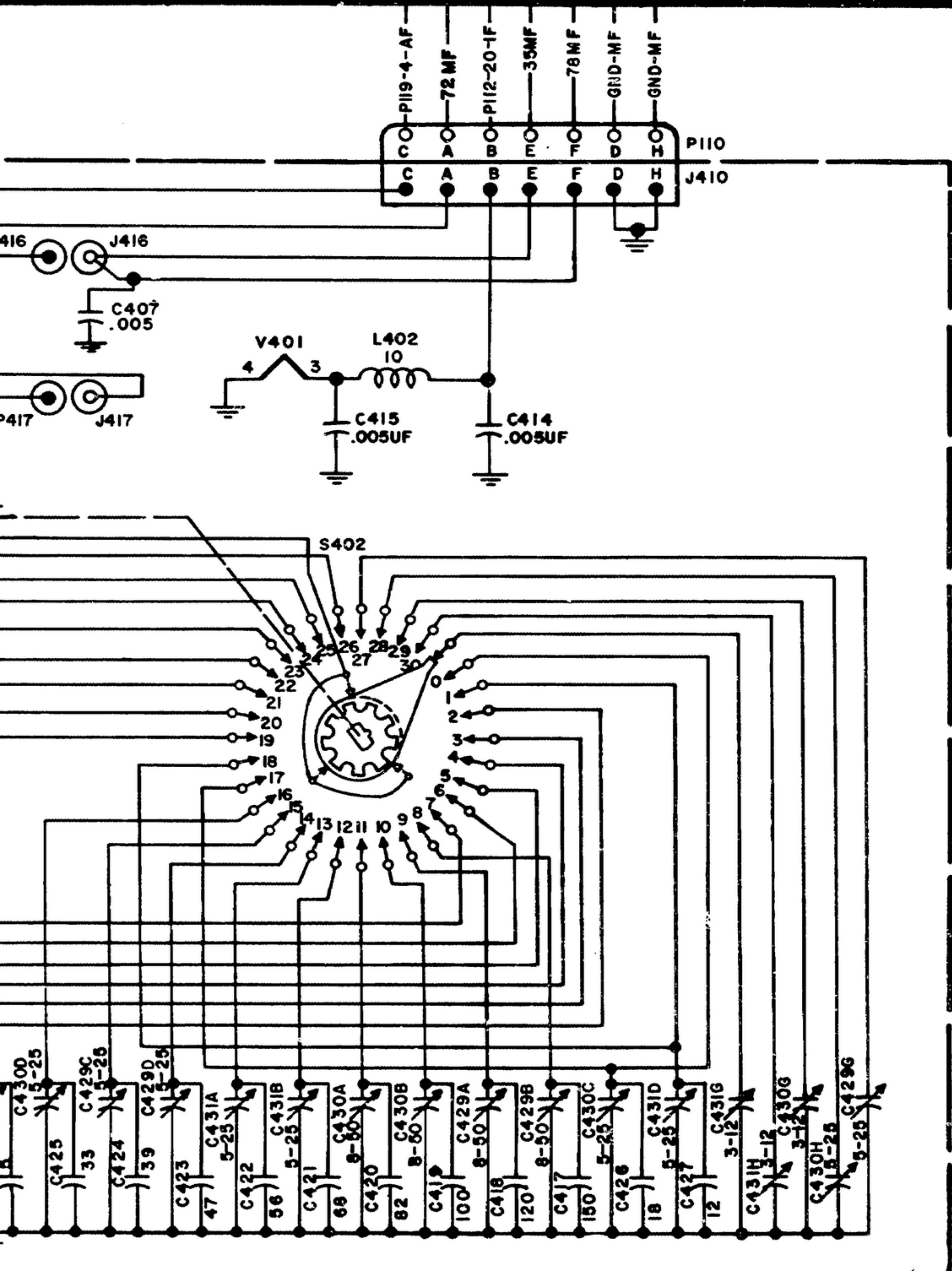
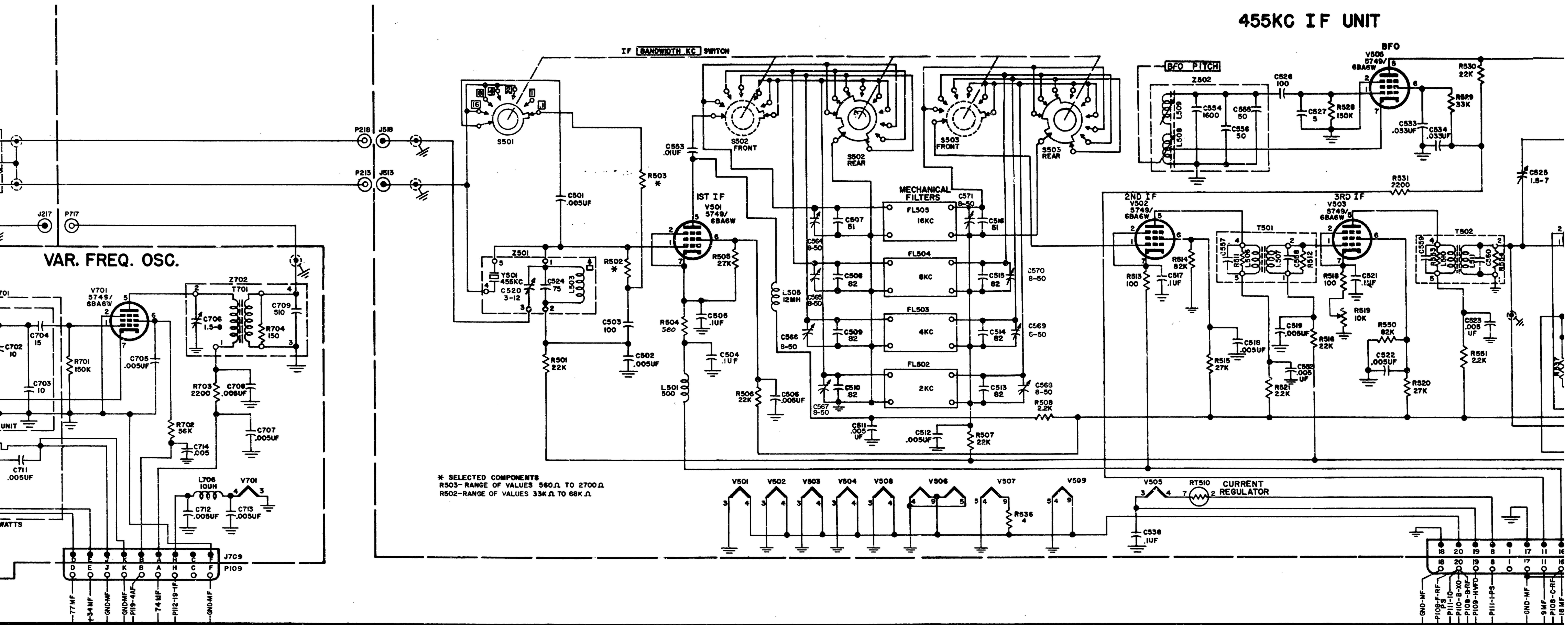
* SELECTED COMPONENTS
R503-RANGE OF VALUES 560Ω TO 270Ω.
R502-RANGE OF VALUES 33KΩ TO 68KΩ.



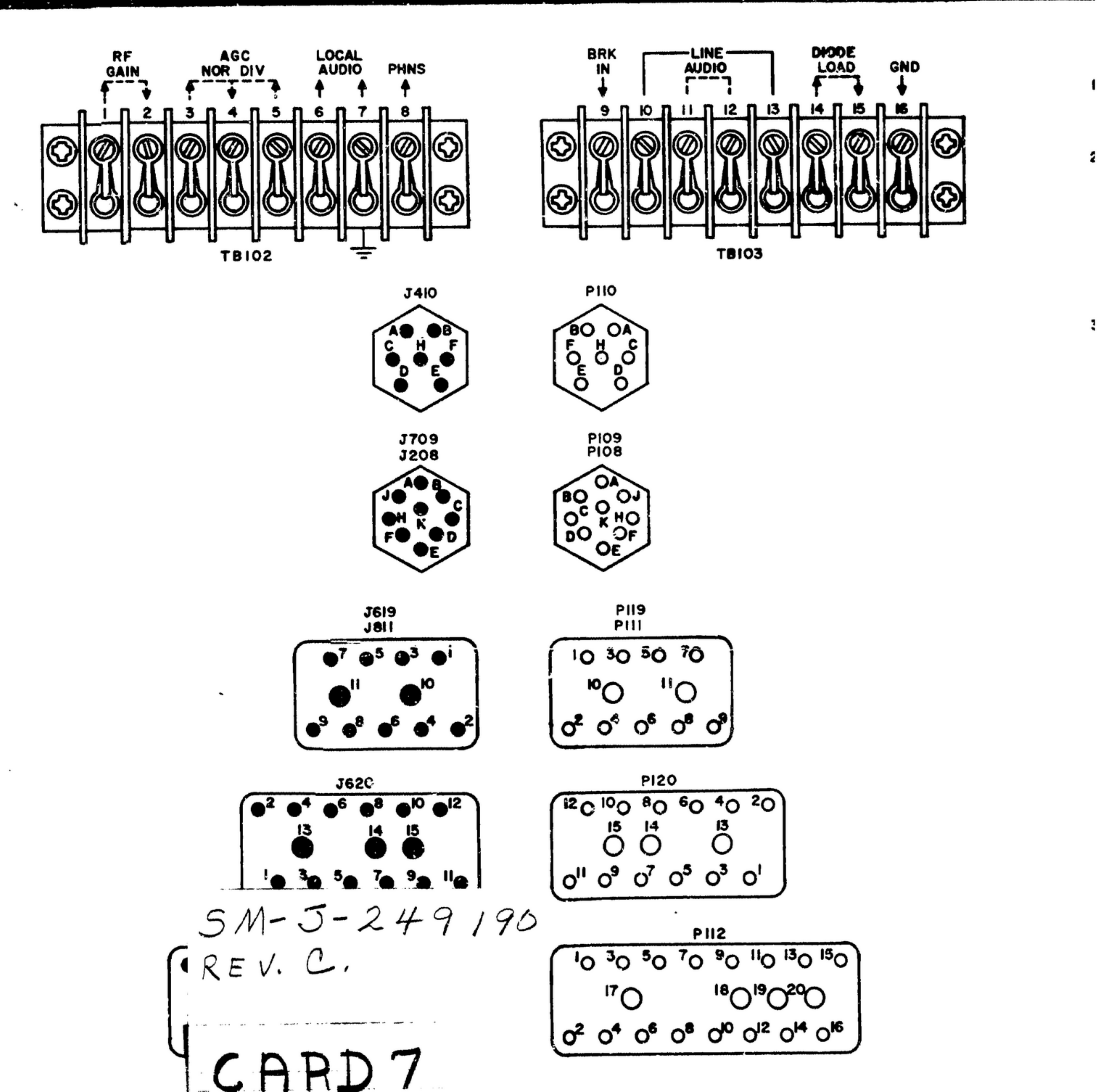
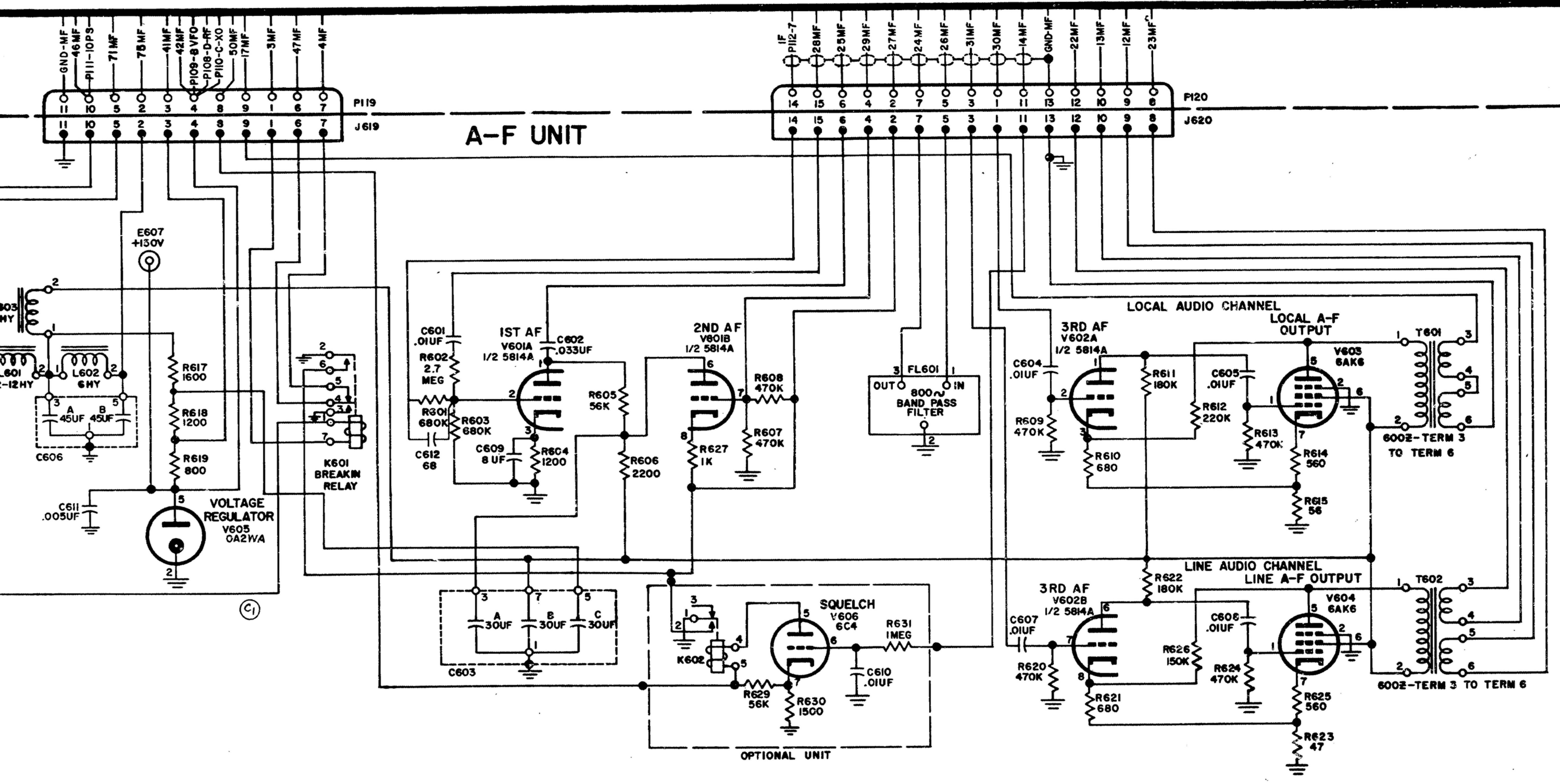
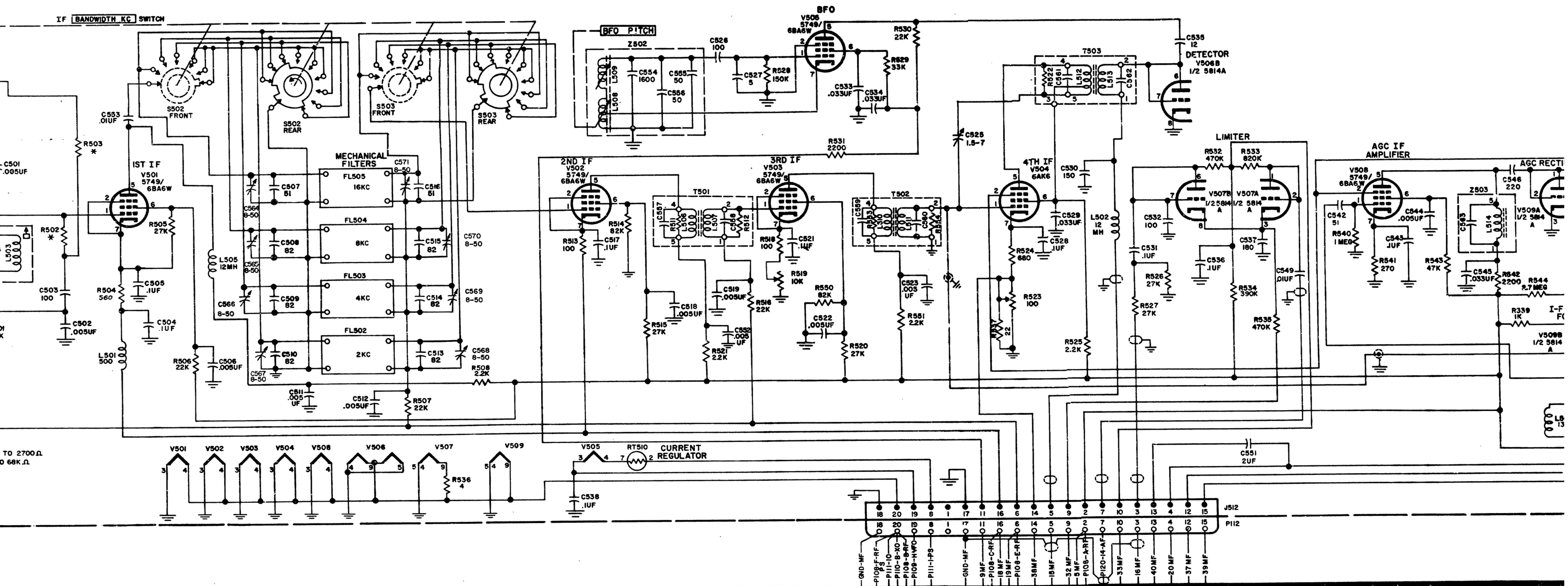
SM-5-249190
REV. C.

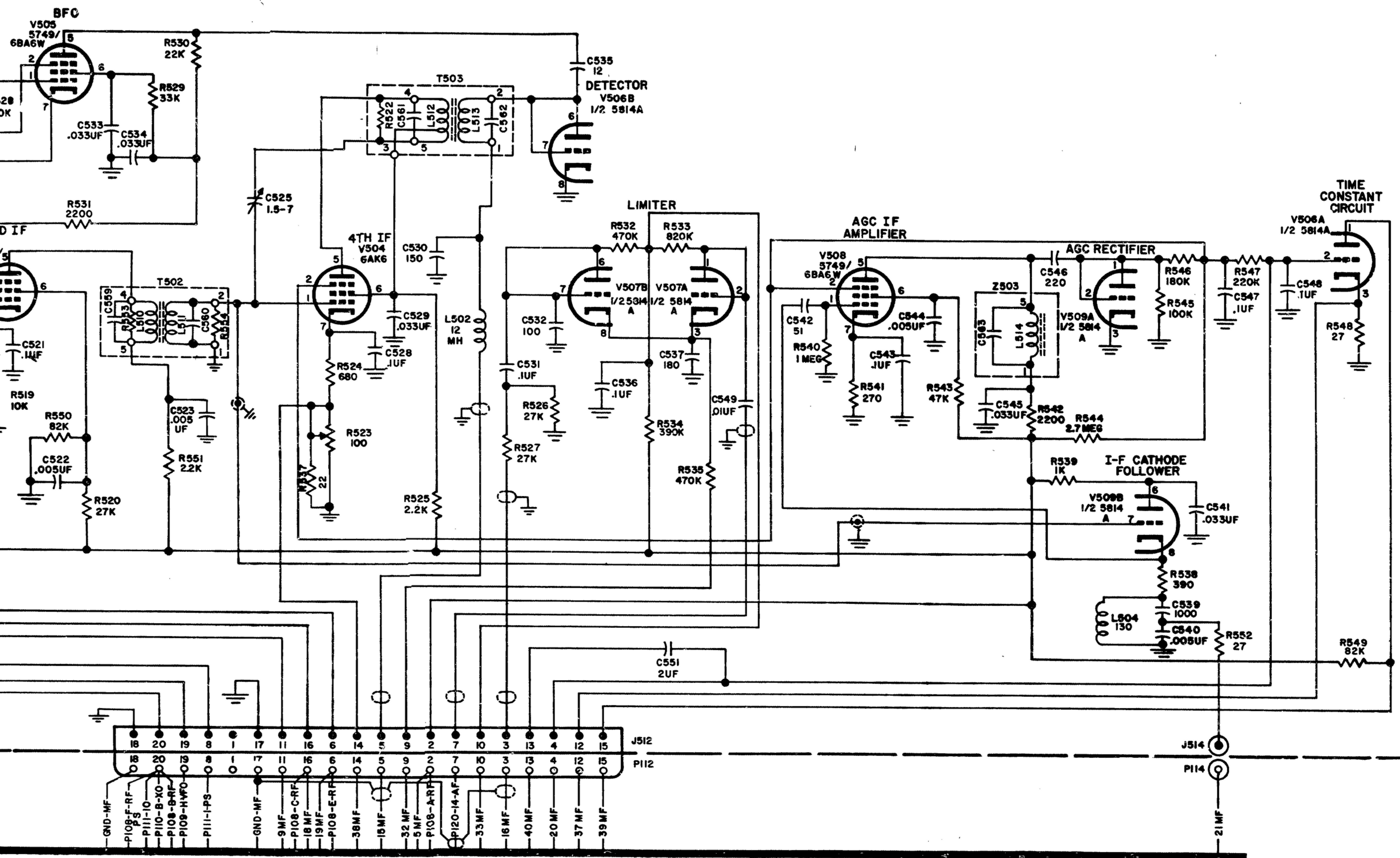
CARD 5

455KC IF UNIT

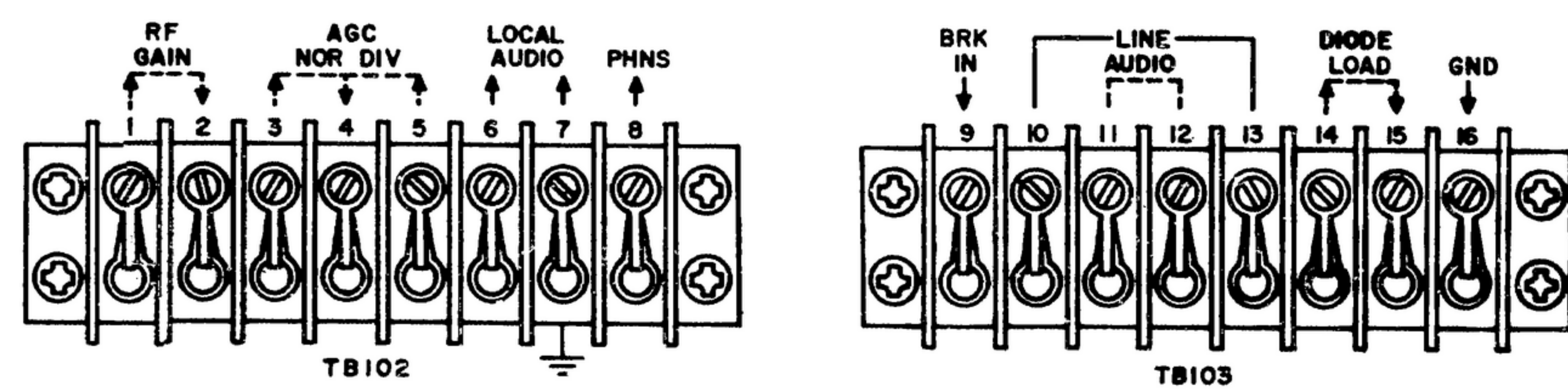
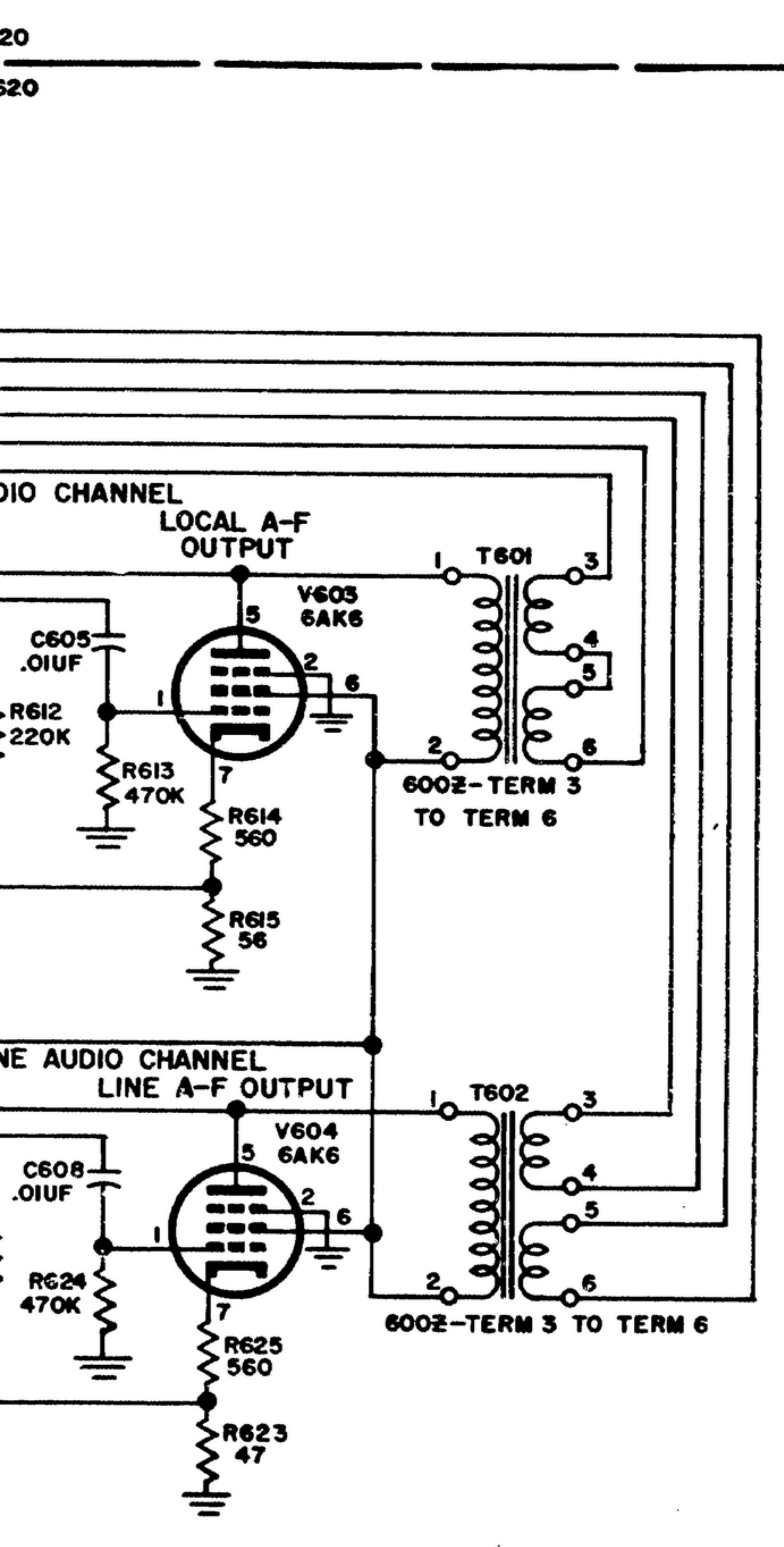


455KC IF UNIT





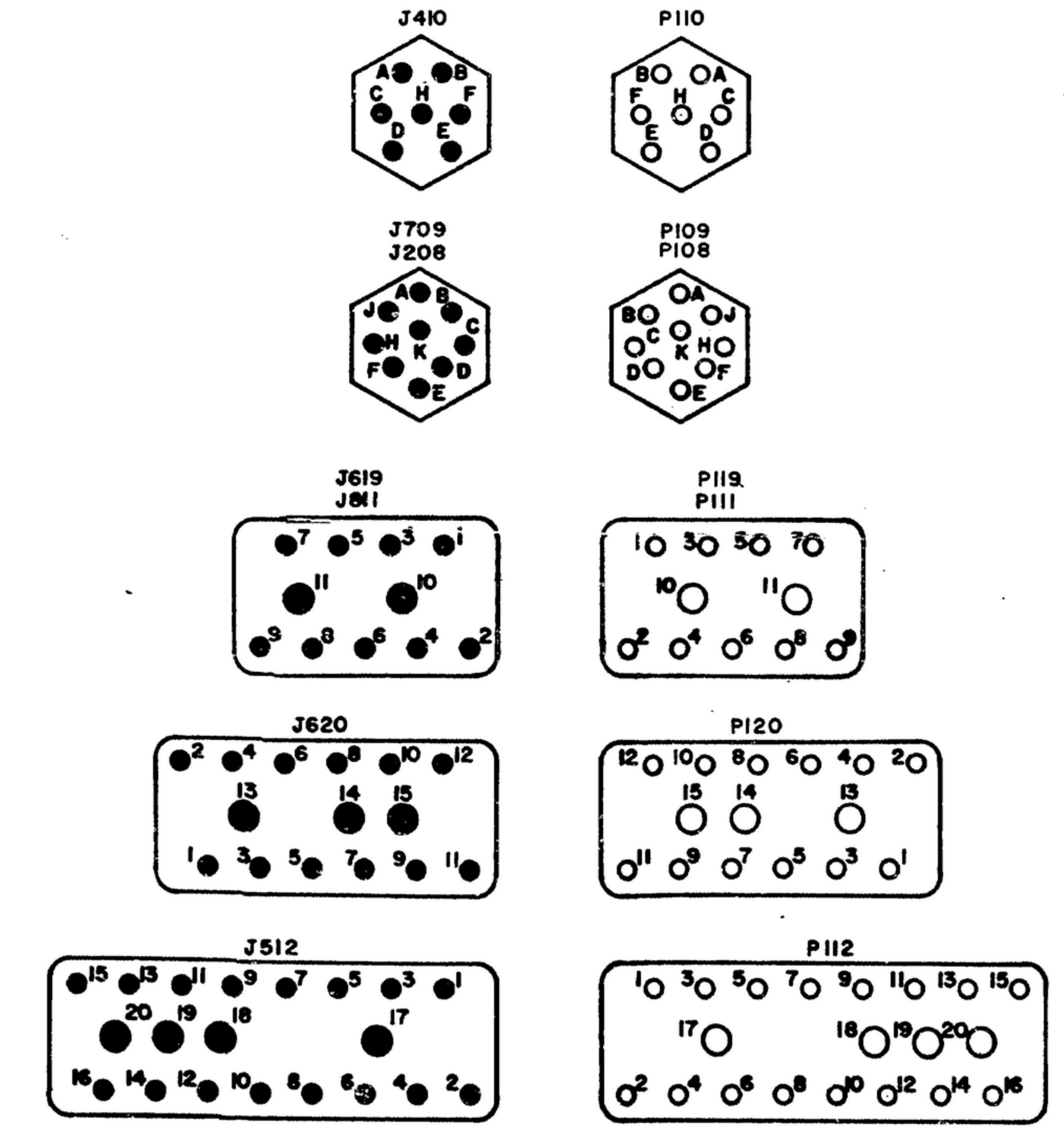
SYMBOL	DESCRIPTION	DATE	APPROVAL
A	(1) 76MF WAS "PI9-5-AF" (2) REMOVED "PI9-5-AF" (3) ADDED: "PI11-5-PB-70" "PI10-A-XO-72" "PI08-K-ER-73" "PI09-A-VFO-74" "PI19-2-AR-75" "PI15-5-AR-71" FUSES "PI02" & "PI03" (4) 78MF WAS "PI9-2-AF" "74MF WAS "PI9-2-AF" "72MF WAS "PI9-2-AF" "71MF WAS "PI11-5-OB" "75MF WAS "PI9-A-VFO" (5) REMOVED: "PI9-A-VFO" "PI08-K-ER" "PI10-A-XO" "51" WAS "52" (6) ADDED: "ON" "OFF" "CALIBRATOR OSCILLATOR" "100 KC MULTIVIBRATOR" "100 KC CATHODE FOLLOWER" "6ND ME" (7) "PI15-PB-70" WAS "PI15-PB-70" (8) "77MF WAS "34MF" "78MF WAS "35MF" (9) REMOVED "PI11-5-PS" (10) REVISED REAR VIEW OF SWITCH "620"	7 FEB 61	44429-PC-59
B	(1) C-542 WAS 47 " S.W.F. C.A.#8222	27 OCT 61	REF: P.M.E.
C	(1) ON Y605 REF DESIG O22 WA WAS O22.	30 MAR 1965	REF: P.M.E.



1. UNLESS OTHERWISE SHOWN
RESISTANCE IS IN OHMS
CAPACITANCE IS IN UUF
INDUCTANCE IS IN UH

2. ABBREVIATIONS
AR = ANTENNA RELAY
PS = A-C POWER SUPPLY
RF = R-F UNIT
IF = 455KC I-F UNIT
AF = A-F UNIT
MF = MAIN FRAME
XO = CRYSTAL OSCILLATOR
VFO = VARIABLE FREQ. OSC.

3. ALL SWITCHES VIEWED FROM END
OPPOSITE KNOB OR DRIVEN END.



CARD 8

DATE	BY	DESCRIPTION
12/14/51	PH-51-93	RECEIVER RADIO R390A/URR
5/29/52	PH-51-93	SCHEMATIC DIAGRAM

DRAWN	CHECKED	APPROVED
PC HILL		
REVIEWED	P.M.E.	
APPROVED	H.L.Y.	
DATE	4 APR 56	SCALE

DEPARTMENT OF THE ARMY
SIGNAL CORPS ENGINEERING
LABORATORIES
FORT MONMOUTH NEW JERSEY
SM-J-249190