

1 2 3 4 5 6 7 8

A

B

C

D

E

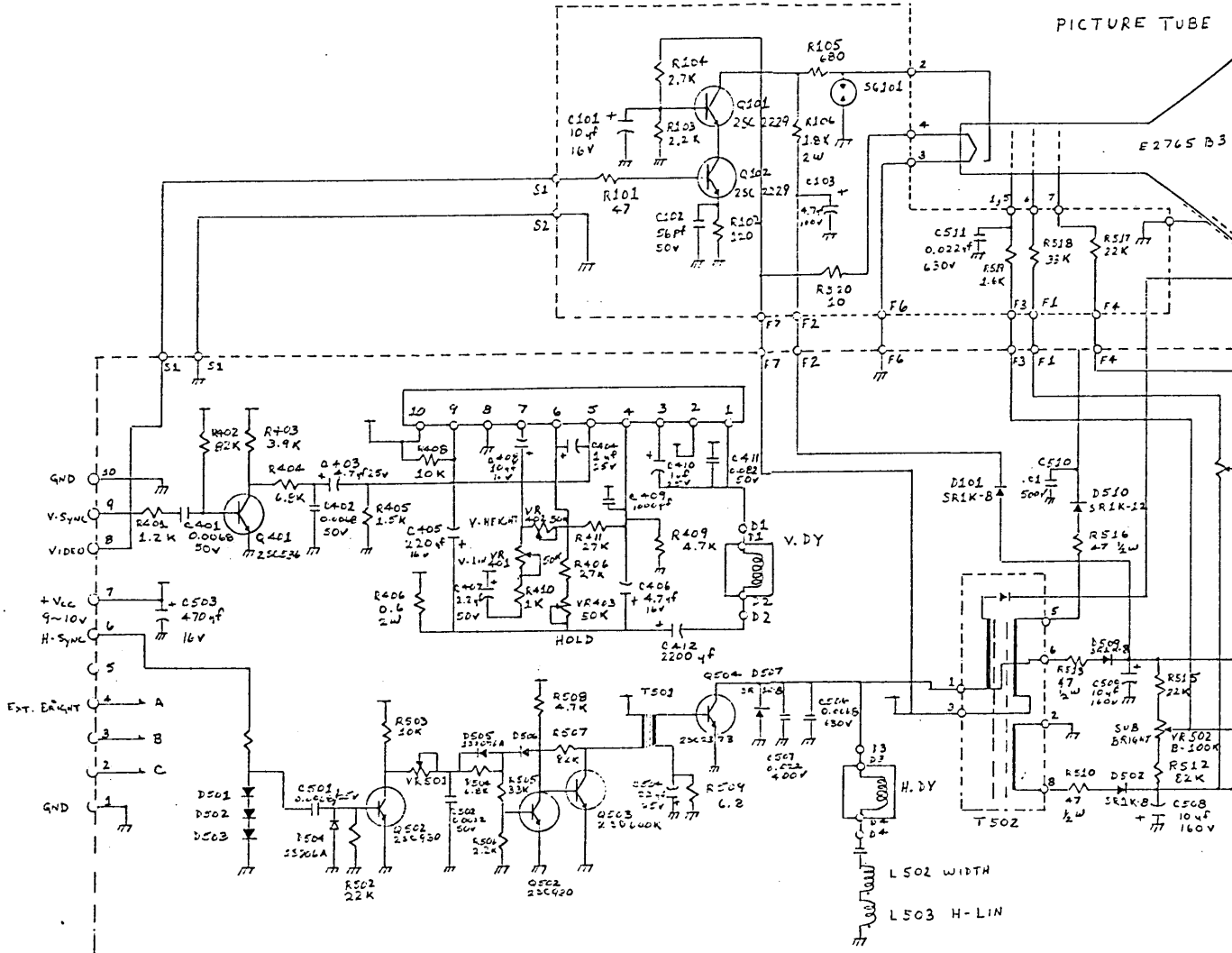
F

G

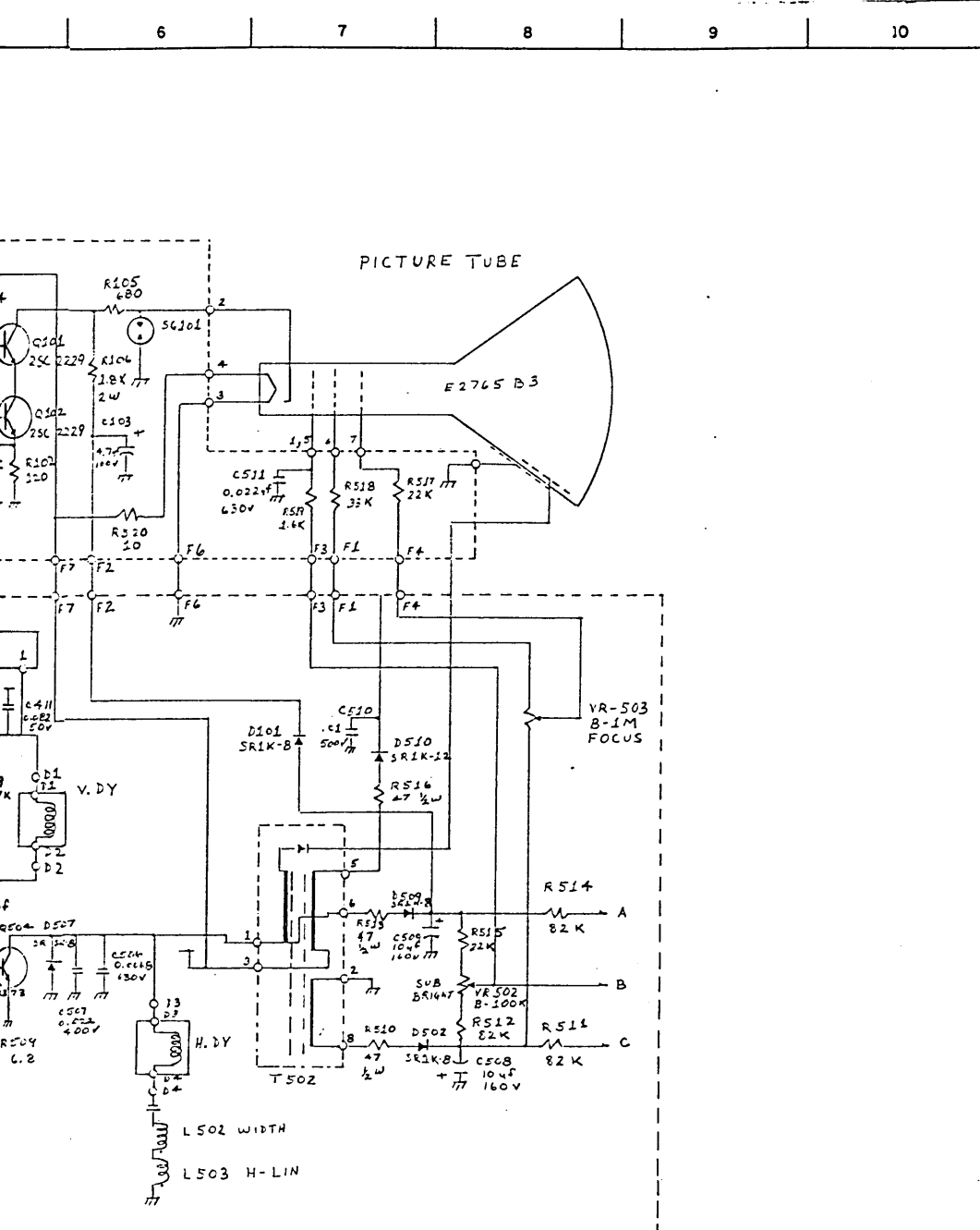
H

PICTURE TUBE

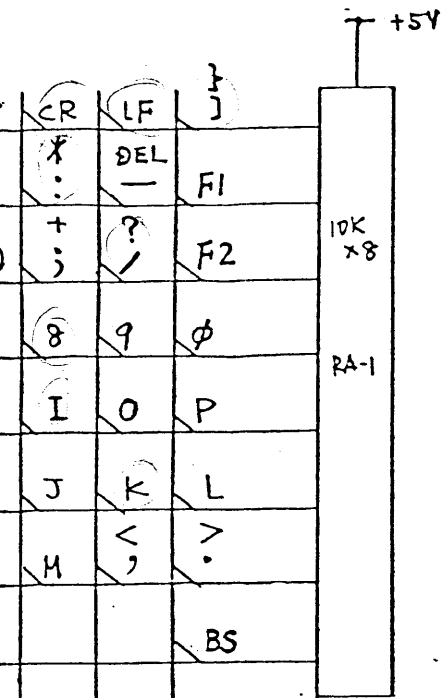
E 2745 B3



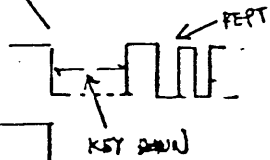
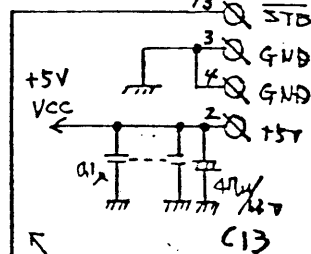
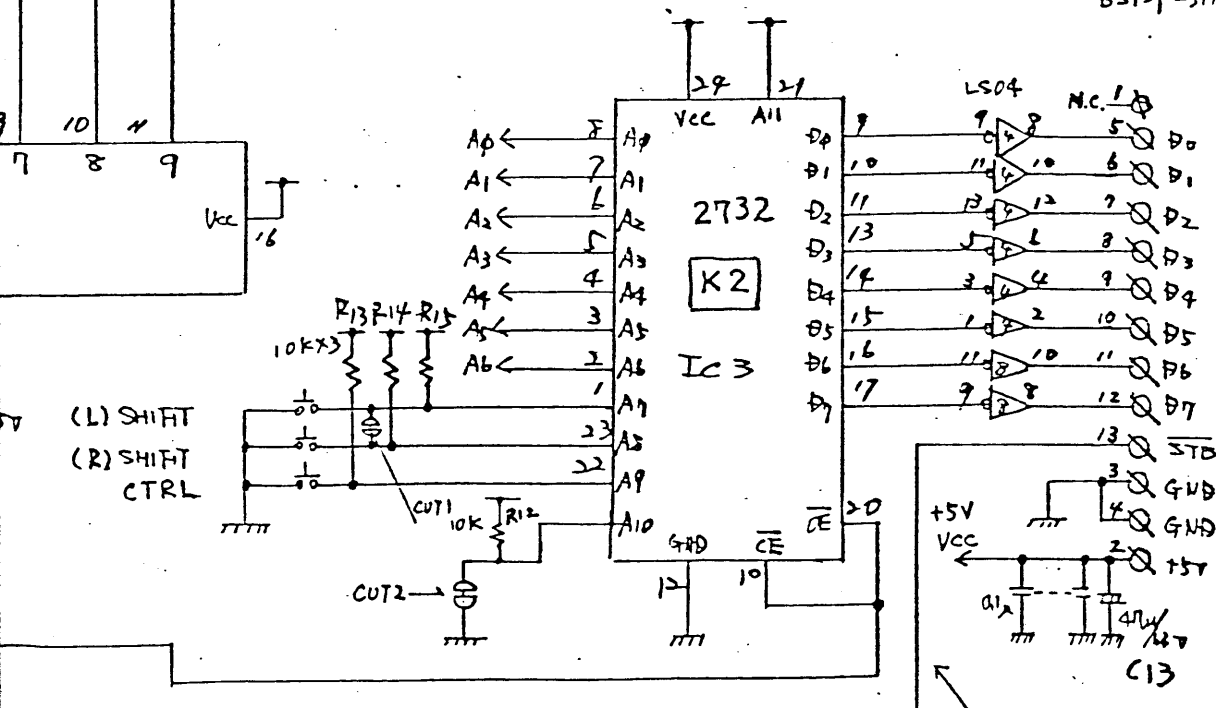
1 2 3 4 5 6 7 8



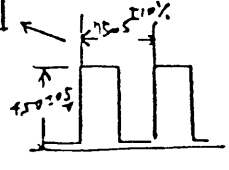
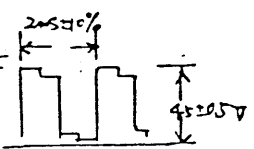
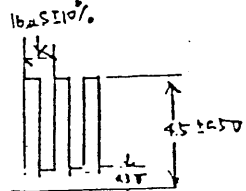
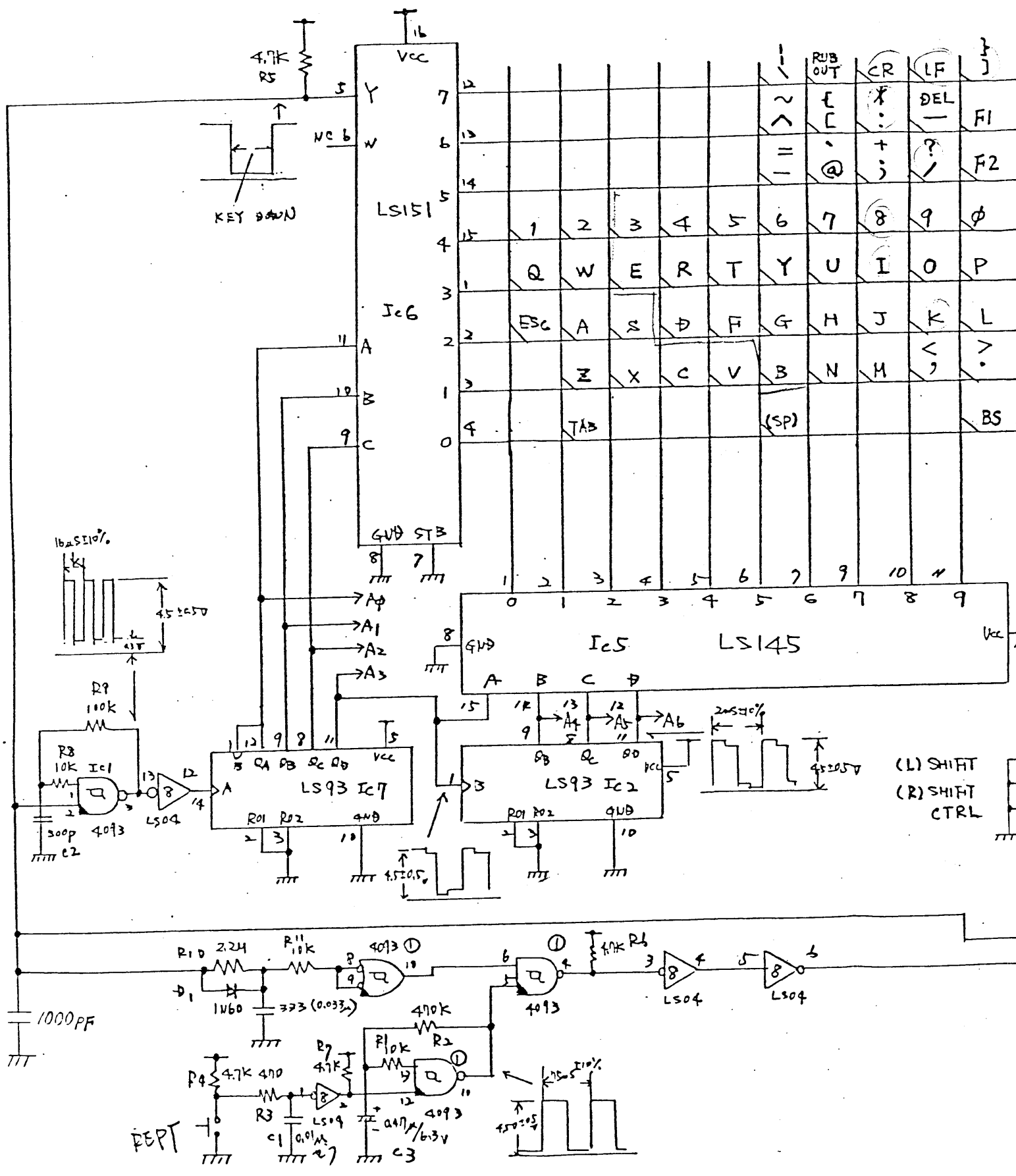
HAL COMMUNICATIONS CORP. BOX 365, URBANA, ILLINOIS 61801	
CWR 6850 Display SCHEMATIC	
DATE 6-25-82	SCALE NONE
DRN BY TRS	No. A1443
APP BY	



BS13P-SHF-1

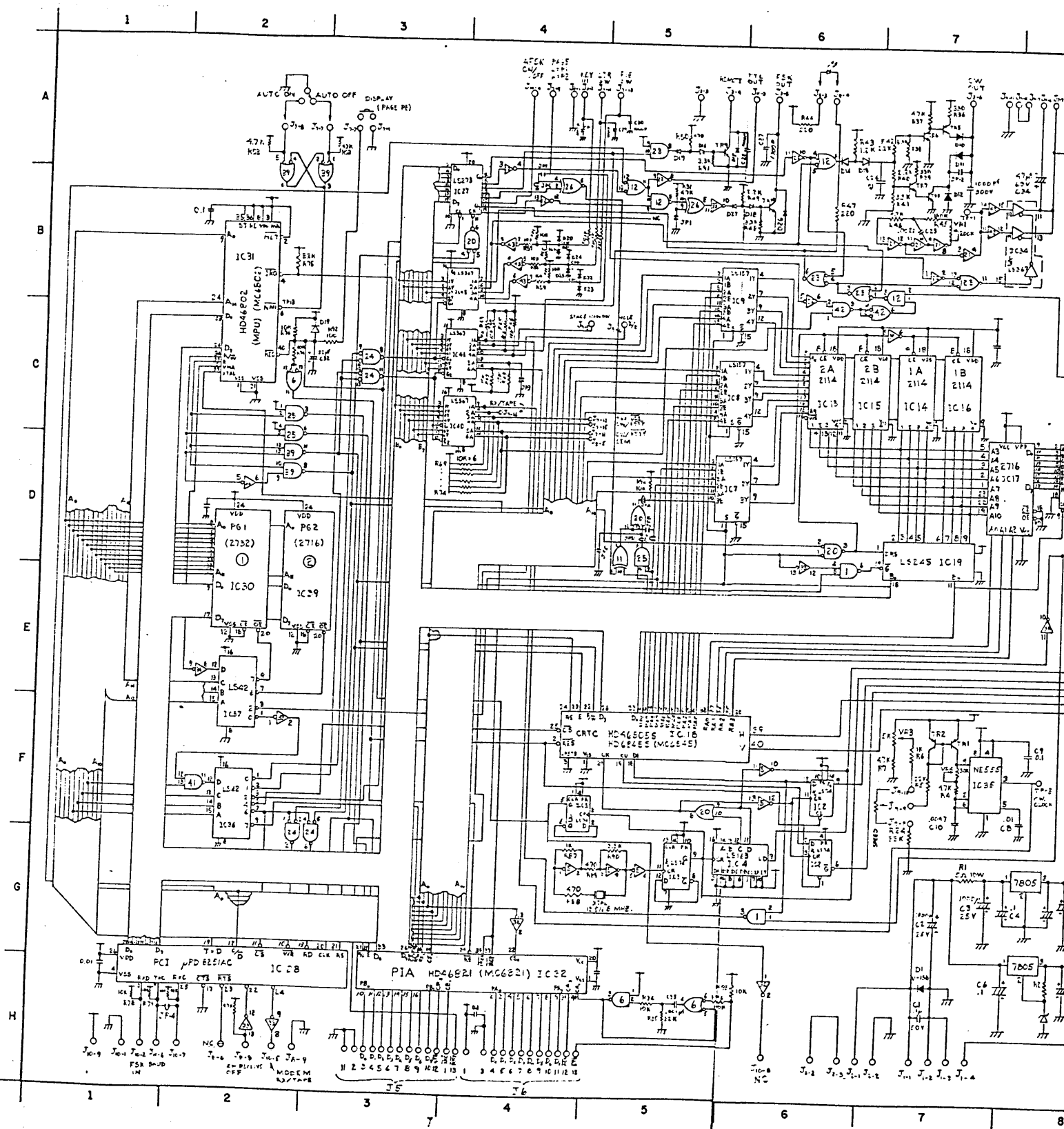


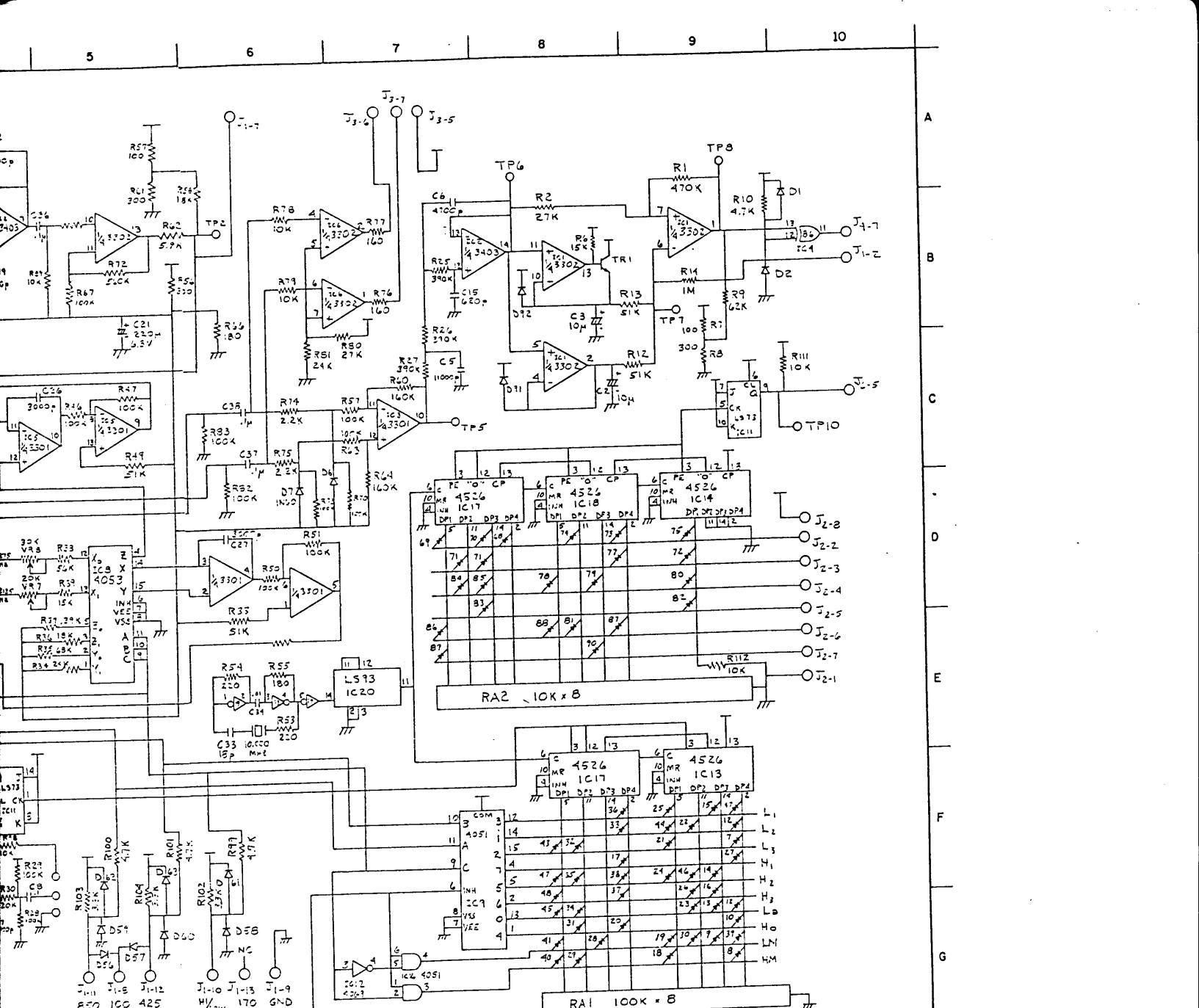
品名 NEW KB-6850		
品番 82022G		
设计 57.2.24	図面 57.3.1	変更 58.4.26
Esaka	A Esaka	K Hayashi




(L) SHIFT
(R) SHIFT
CTRL

PEPT






HAL COMMUNICATIONS CORP.
 BOX 365, URBANA, ILLINOIS 61801

CWR 6850 DEMODULATOR
SCHEMATIC

DATE 6/2/82	SCALE
DRN BY S. COWAP	No. A1439
APP BY	

