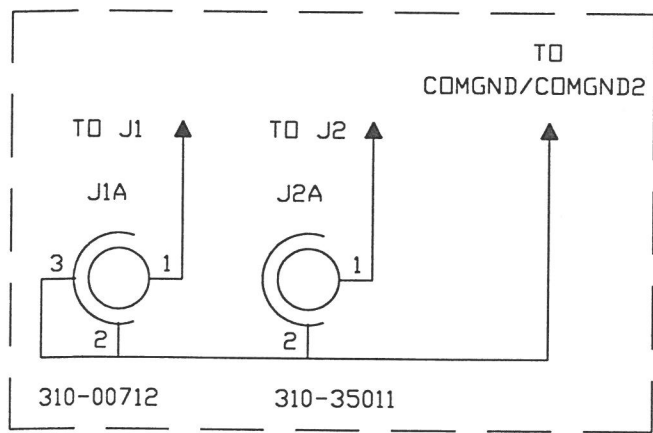
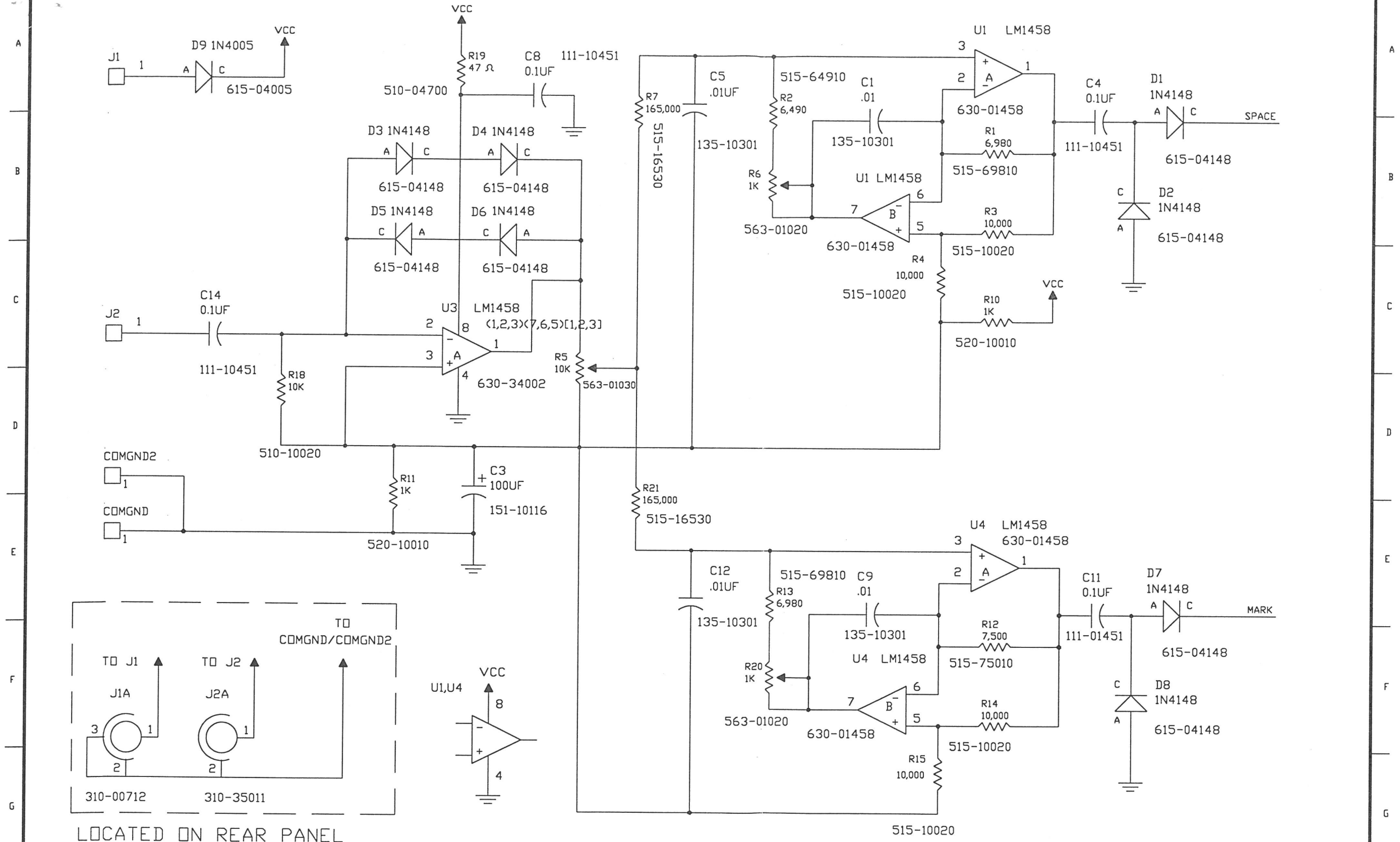


MAP



LOCATED ON REAR PANEL

LINK TO DRAWING A1960

A CHANGED VALUE OF R10, R1 REMOVED R5A, C7

REV.	DATE	BY	HAL COMMUNICATIONS CORP. BOX 365, URBANA, IL 61801
A	04/14/98	<i>[Signature]</i>	
			RTTY MODEM TUNING INDICATOR
DATE 03/17/98		SCALE NONE	
DRN BY SCH		NO. A1959A	
APP BY			

A

B

F

G

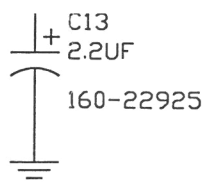
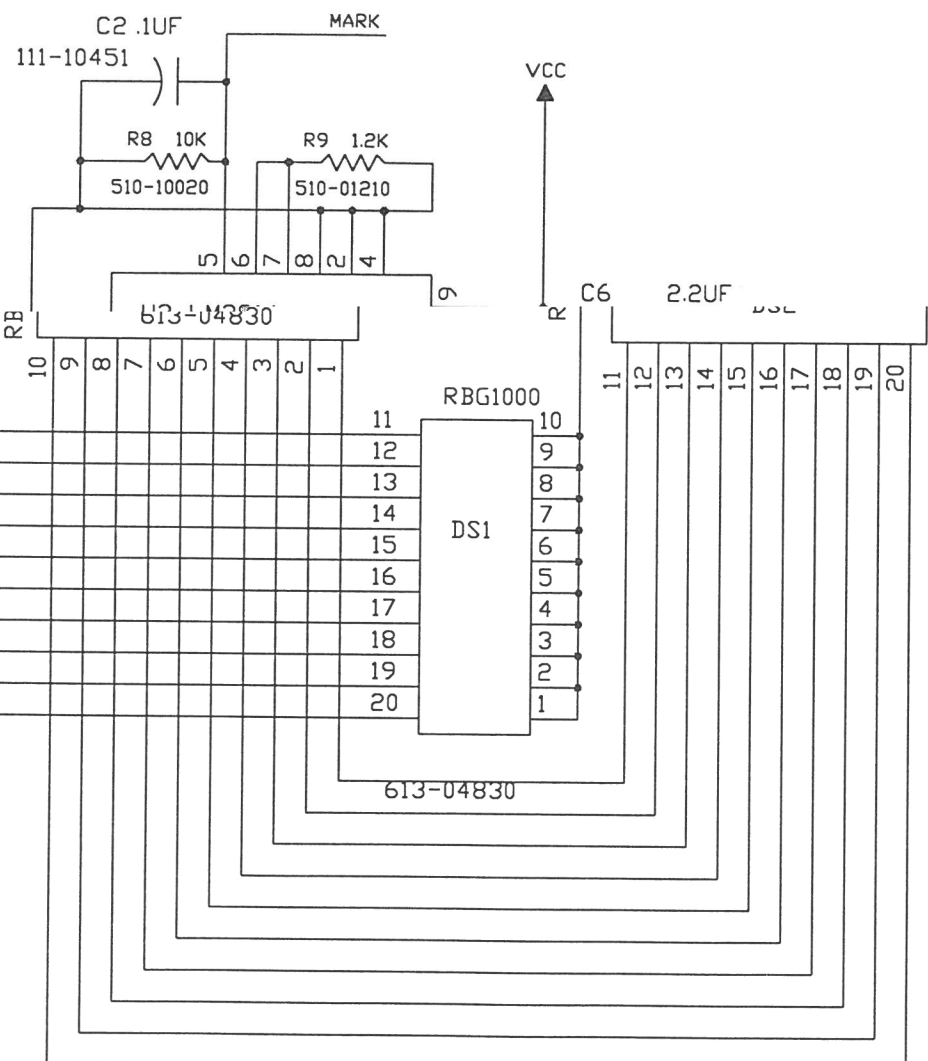
A

B

E

F

G



A= CORRECTED POLARITY OF C6

REV.	DATE	BY	HAL COMMUNICATIONS CORP.
A	01/14/98	SWA	BOX 365, URBANA, IL 61801

C

D

C

D

